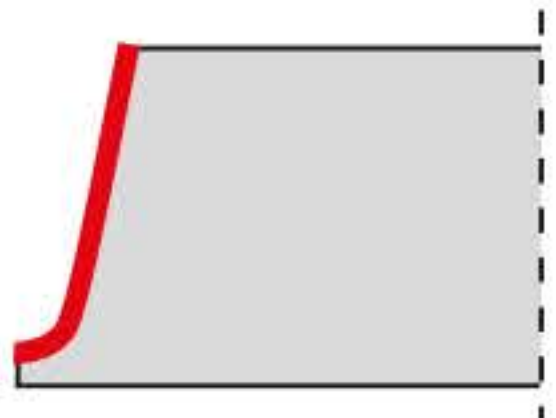


STEEL BEAST®

JEI
Solutions
Built for Industry

PB10

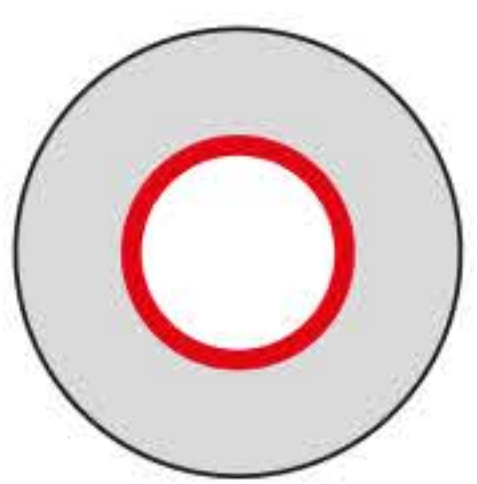
**PORTABLE PIPE
BEVELLER**



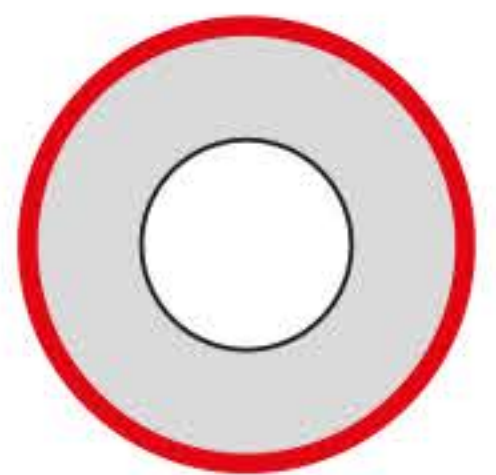
J-groove beveling (option)



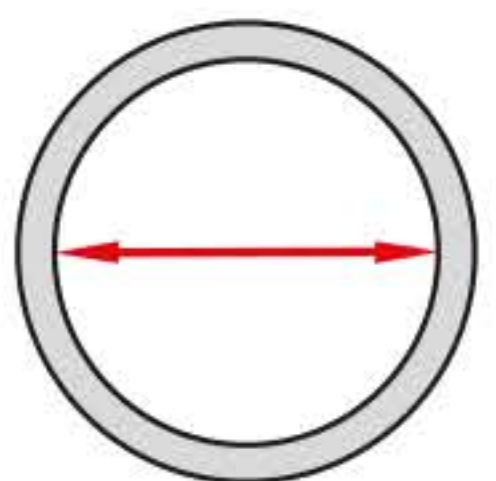
Max wall thickness 15mm



Pipe ID beveling



Pipe OD beveling



**ID 84-269 mm
38-84 mm (option)
or 270-349 mm (option)**

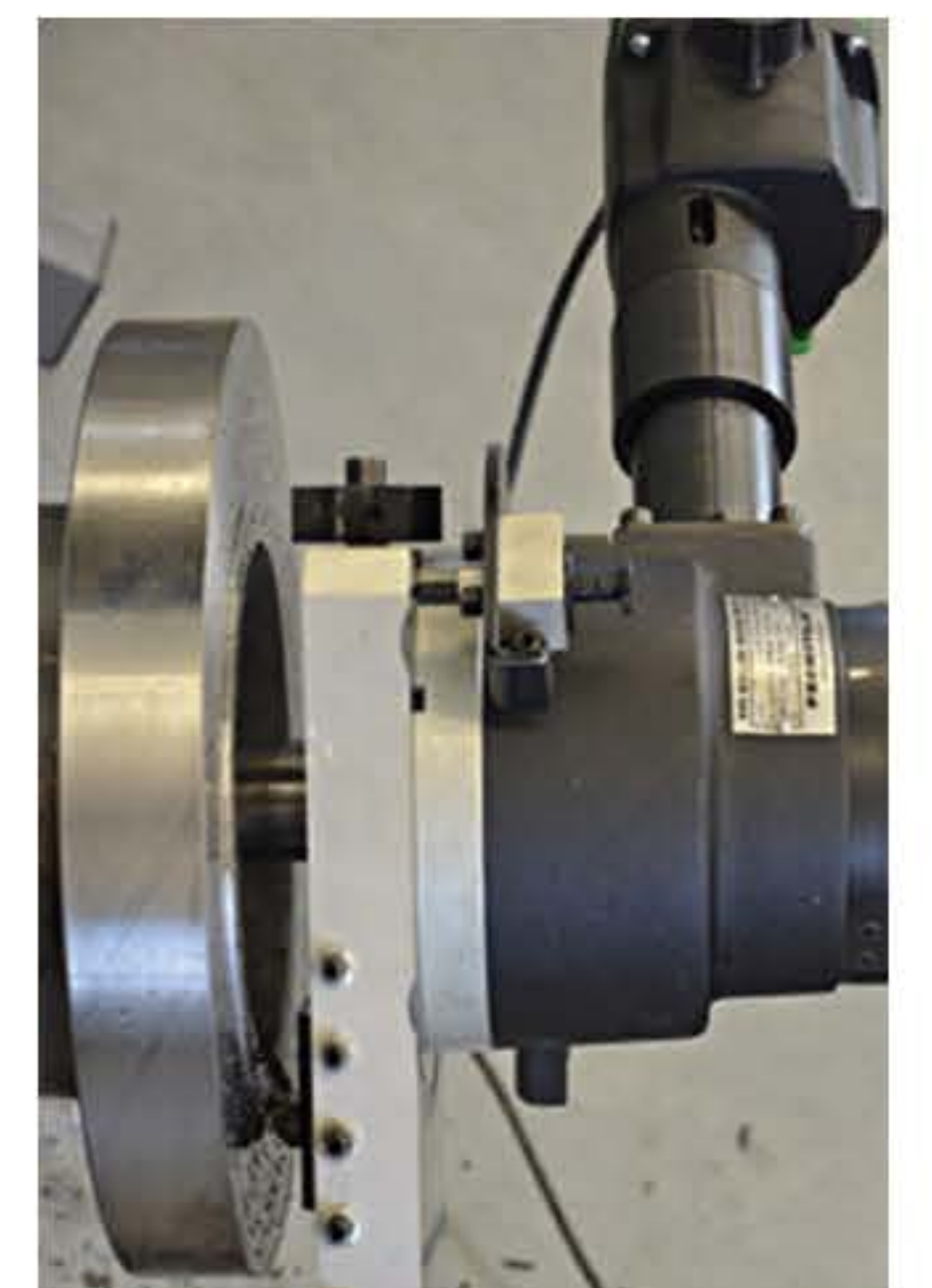
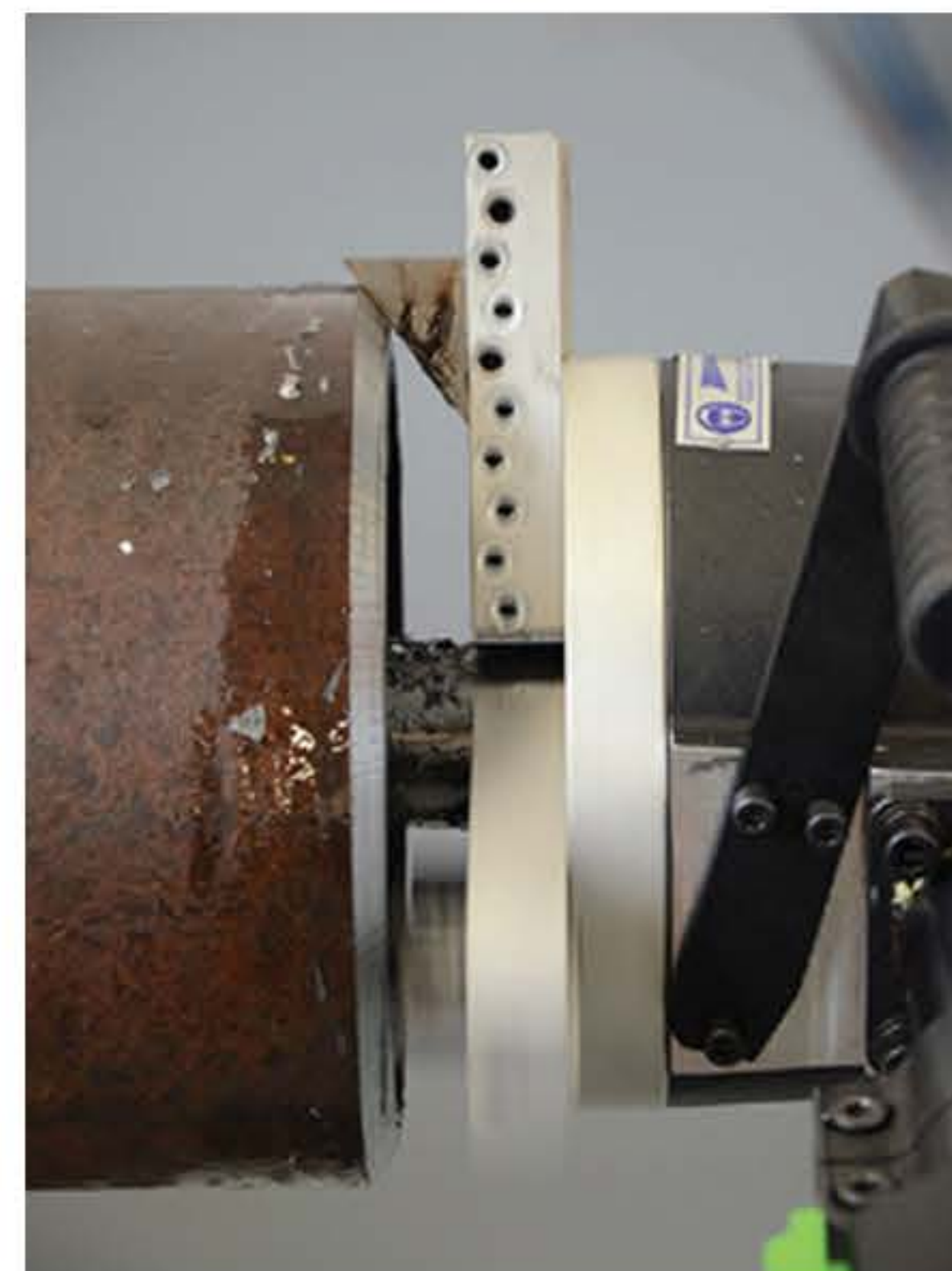


Facing off

THE PB10 IS A HEAVY DUTY, PORTABLE PIPE BEVELLING MACHINE DESIGNED TO CREATE A PERFECT WELD PREP EDGE PRIOR TO JOINING.

With the use of self-centering expandable mandrels, a quick and precise alignment can be achieved to pipe or tube machining. The PB10 is able to bevel, face off, ID chamfer, counterbore and produce a J-bevel, making all operations fast and economical.

Depending upon the operators preference and site conditions, the PB 10 can be supplied with either electric (model PB10E) or Pneumatic (model PB10A) motor.



CALL 01706 229 490 TO BOOK YOUR DEMONSTRATION NOW OR VISIT WWW.STEELBEAST.CO.UK

WWW.JEIUK.COM

PART NUMBER: PB10

JEI Solutions



STEELBEAST[®] CAPACITIES

JEI
Solutions
Built for Industry



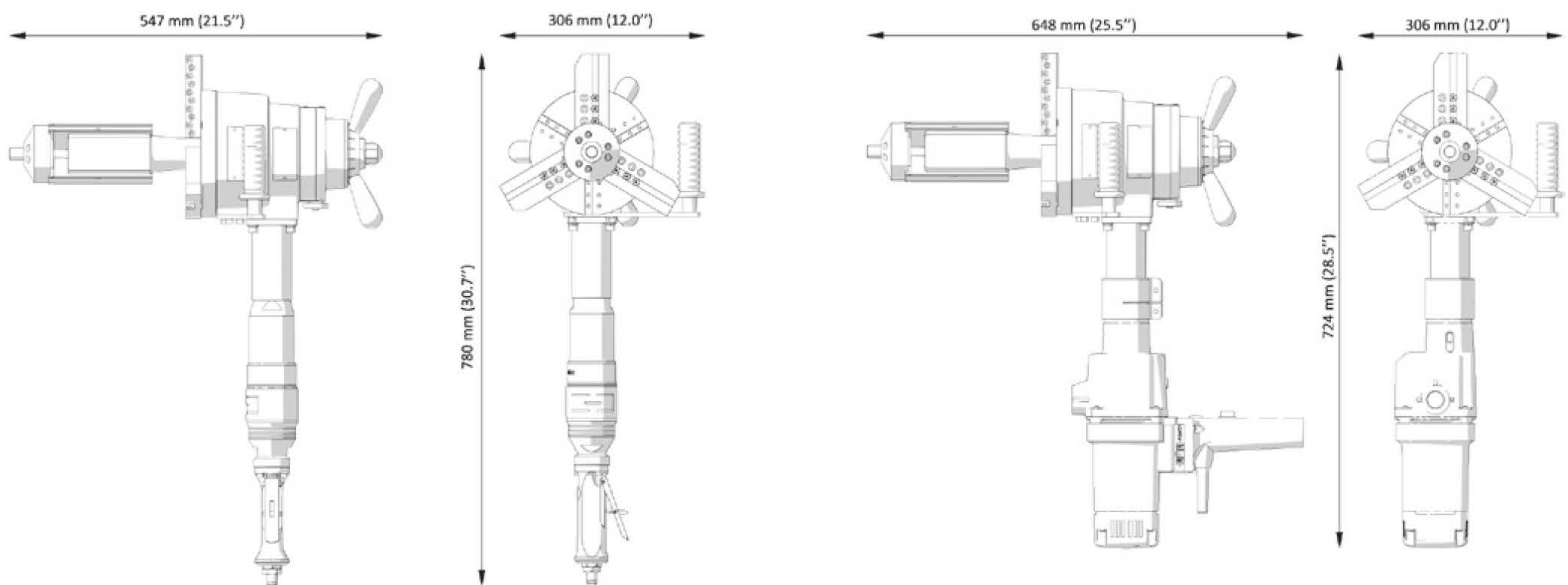
Wide range of accessories for multiple applications including flange facing and oval beveling. PB10 can be equipped with optional accessories according to customers' needs and preferences.

CALL 01706 229 490 TO BOOK YOUR DEMONSTRATION NOW OR VISIT WWW.STEELBEAST.CO.UK



Technical specifications	PB10E with electric motor	PB10A with pneumatic motor
Electric motor	1.8 kW	-
Supply	110-120 V / 50-60 Hz or 220-240 V / 50-60 Hz	-
Rotational speed (nominal)	gear 1-12 to 29 rpm	-
	gear 2-41 to 96 rpm	-
Pneumatic drive	-	1,8 kW
Air requirement	-	0,6 MPa
Air consumption	-	1750 NI/min
Rotational speed (without load)	-	17 rpm
Rotational speed (nominal)	-	9 rpm
Min ID	84 mm (3.31"); 38 mm - option	84mm (3.31"); 38mm - option
Max ID	269 mm (10.59"); 349 mm (13.74") - option	269 mm (10.59"); 349 mm (13.74") - option
Max OD	273 mm (10.75"); 355 mm (13.98") - option	273 mm (10.75"); 355 mm (13.98") - option
Max. wall thickness	15 mm (0.59")	15 mm (0.59")
Weight (incl. motor)	35.9 kg (79 lbs)	33 kg (73 lbs)

Dimensions



PB-10E with Electric Motor

PB-10A with Pneumatic Motor

CALL 01706 229 490 TO BOOK YOUR DEMONSTRATION NOW OR VISIT WWW.STEELBEAST.CO.UK

STANDARD SHIPPING SET



- ✓ PB10 (without motor, tool bits)
- ✓ Metal box
- ✓ Standard self-centering expandable mandrel for pipe ID Ø 84 – 269 mm (3.31 – 10.59")
- ✓ Jaw blocks (1,2,3,4,5,6) and adapter – 3 sets
- ✓ Set of tools
- ✓ Coolant container
- ✓ Operator's manual



Pneumatic Motor
Product Code: PB10-PM

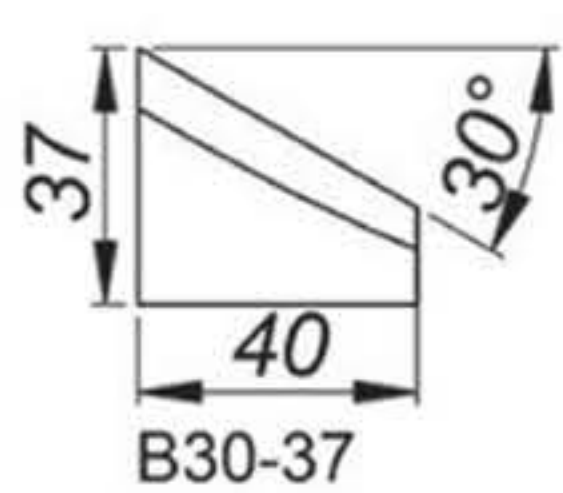


Connection set for electric motor
Product Code: PB10-MCS

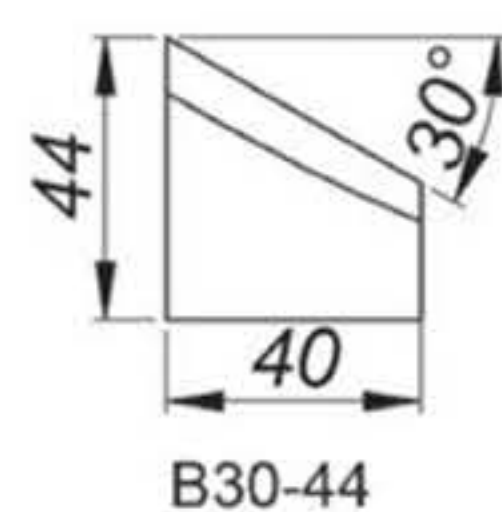


Electric Motor: 230V
Product Code: PB10-EMB2

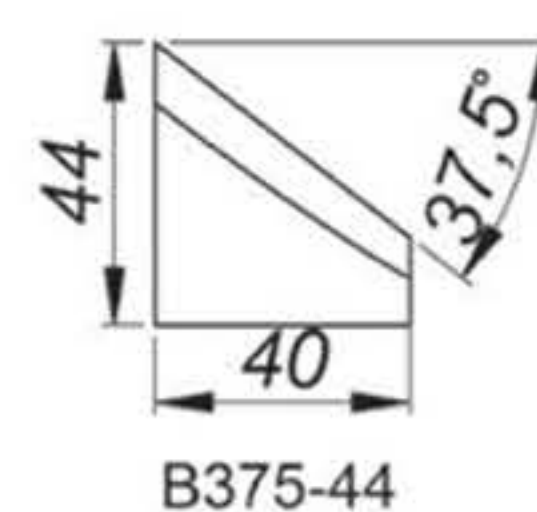
Electric Motor: 115V
Product Code: PB10-EMB1



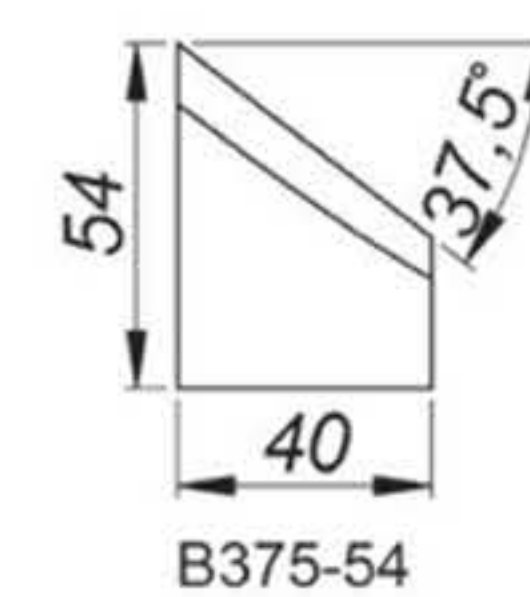
30° Beveling Tool Bit,
Height 37 mm [B30/37]
Product Code PB10-B30/37



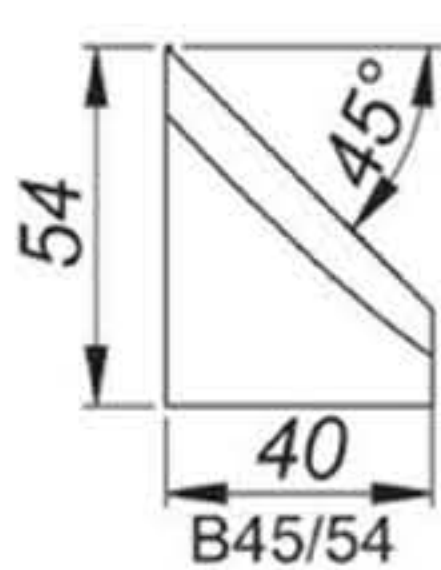
30° Beveling Tool Bit,
Height 44 mm [B30/44]
Product Code PB10-B30/44



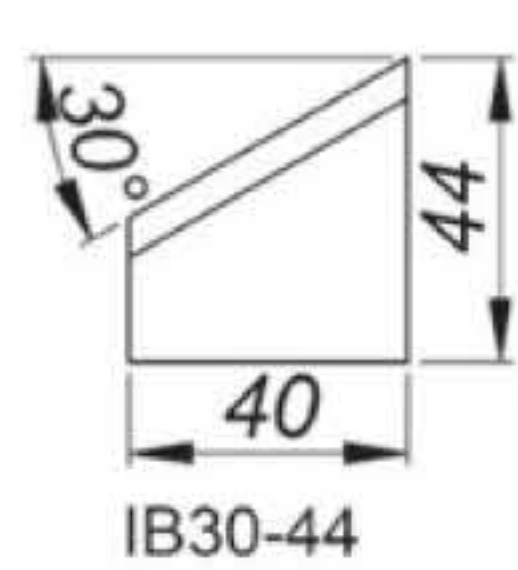
37.5° Beveling Tool Bit,
Height 44 mm [B375/44]
Product Code PB10-B375/44



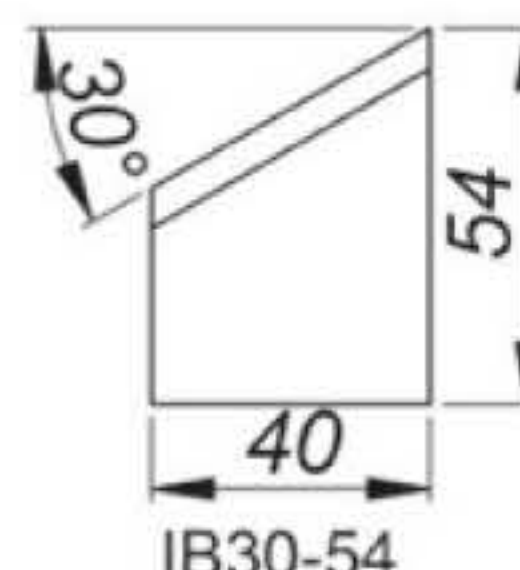
37.5° Beveling Tool Bit,
Height 54 mm [B375/54]
Product Code: PB10-B375/54



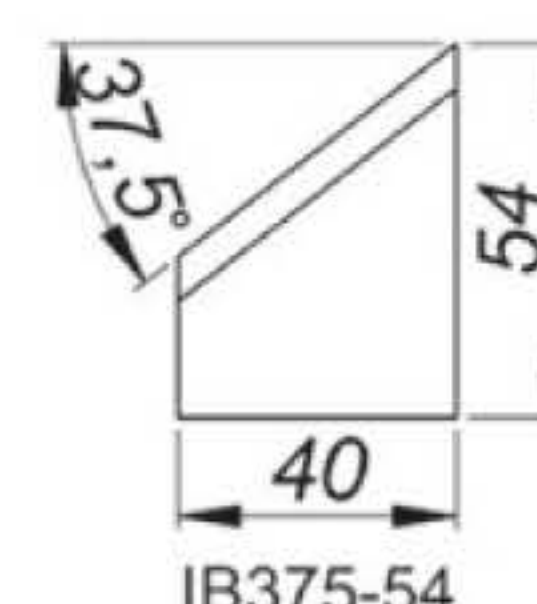
45° Beveling Tool Bit,
Height 54 mm [B45/54]
Product Code: PB10-B45/54



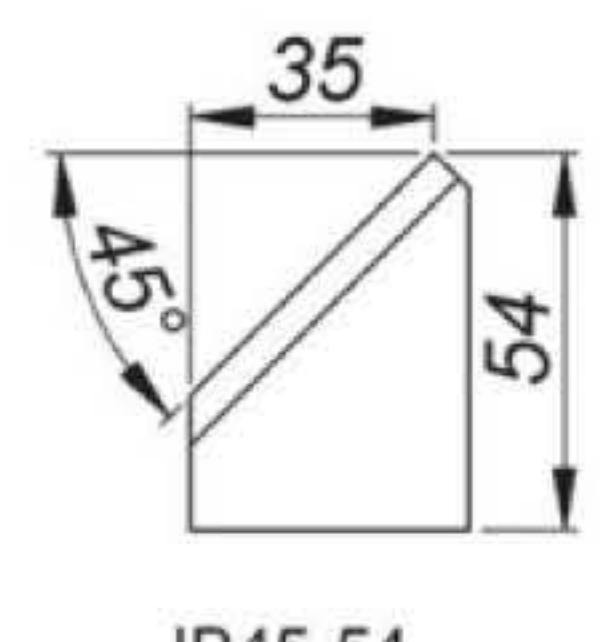
30° Internal Beveling Tool Bit,
Height 44 mm [IB30/44]
Product Code PB10-IB30/4



30° Internal Beveling Tool Bit,
Height 54 mm [IB30/54]
Product Code: PB10-IB30/54



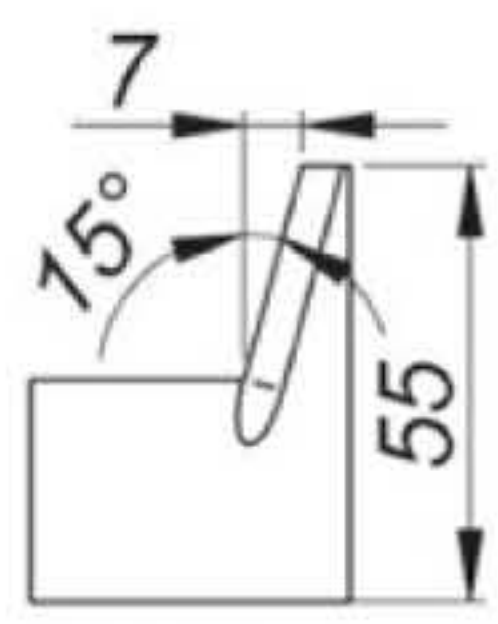
37.5° Internal Beveling Tool Bit,
Height 54 mm [IB375/54]
Product Code: PB10-IB375/54



45° Internal Beveling Tool Bit,
Height 54 mm [IB45/54]
Product Code: PB10-IB45/54

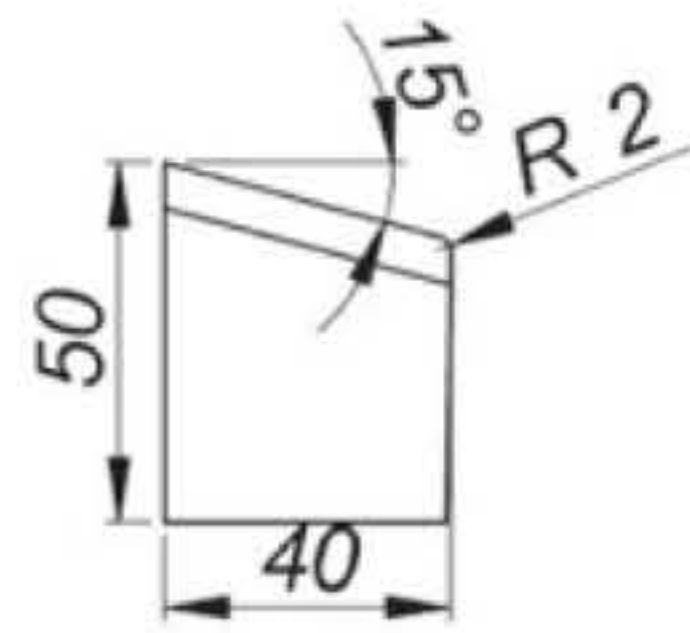
CALL 01706 229 490 TO BOOK YOUR DEMONSTRATION NOW OR VISIT WWW.STEELBEAST.CO.UK





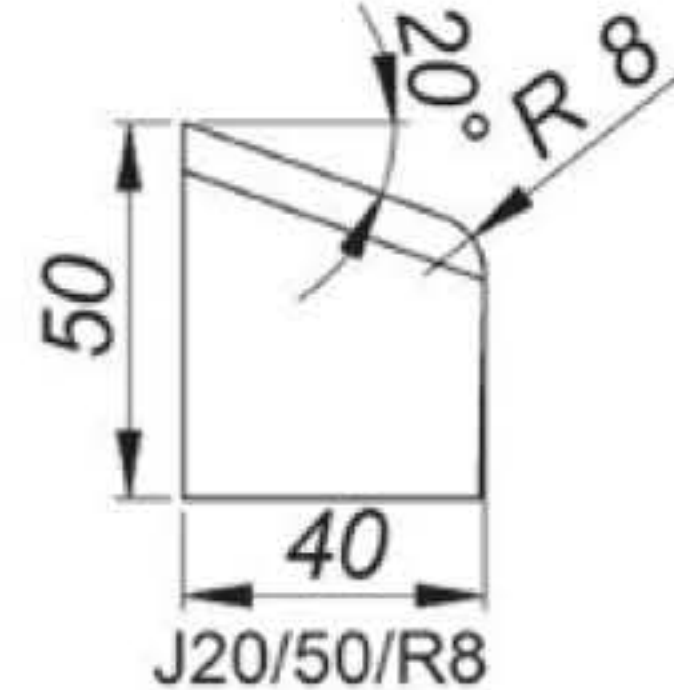
IC15-55

15° Internal Calibration Tool Bit,
Height 55 mm [IC15/55]
Product Code PB10-IC15/55



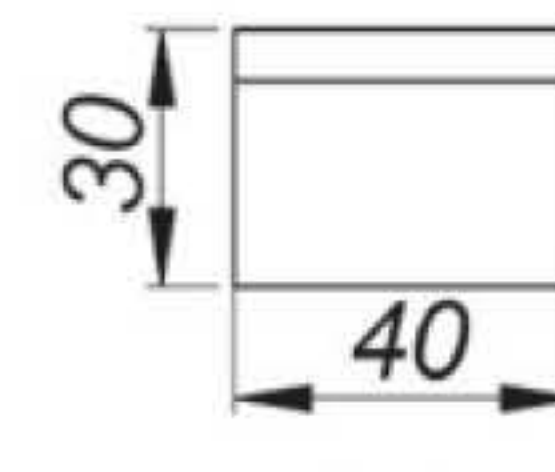
J15-50-R2

15° J-Beveling Tool Bit, Height 50
mm, Radius 2mm [J15/50/R2]
Product Code: PB10-JIS/50/22



J20/50/R8

20° J-Beveling Tool Bit, Height 50
mm, Radius 8mm [J20/50/R8]
Product Code: PB10-J20/50/R8



F0-30

Facing Tool Bit,
Height 30 mm [F0/30]
Product Code PB10-F0/30



Small expanding
mandrel set incl. jaws I,II,
III, IV for pipe ID Ø 38 –
86 mm (1.5 to 3.39")

Product Code:
PB10-0500002



Extension set for OD Ø
up to 355 mm (14") incl.
3 steel tool holders and
jaws 7, 8, 9, 10, 11
Recommended for pipe
wall thickness
up to 7 mm (0.26")

Product Code:
PB10-1300002



Large expanding man-
drel for pipe ID Ø 126 –
296 mm (5 to 11.65")
with standard jaws, and
pipe ID Ø 219 – 376 mm
(8.62 to 14.80") with op-
tional extension set

Product Code:
PB10-5000000



Flange facing attachment
Product Code PB10-FFA

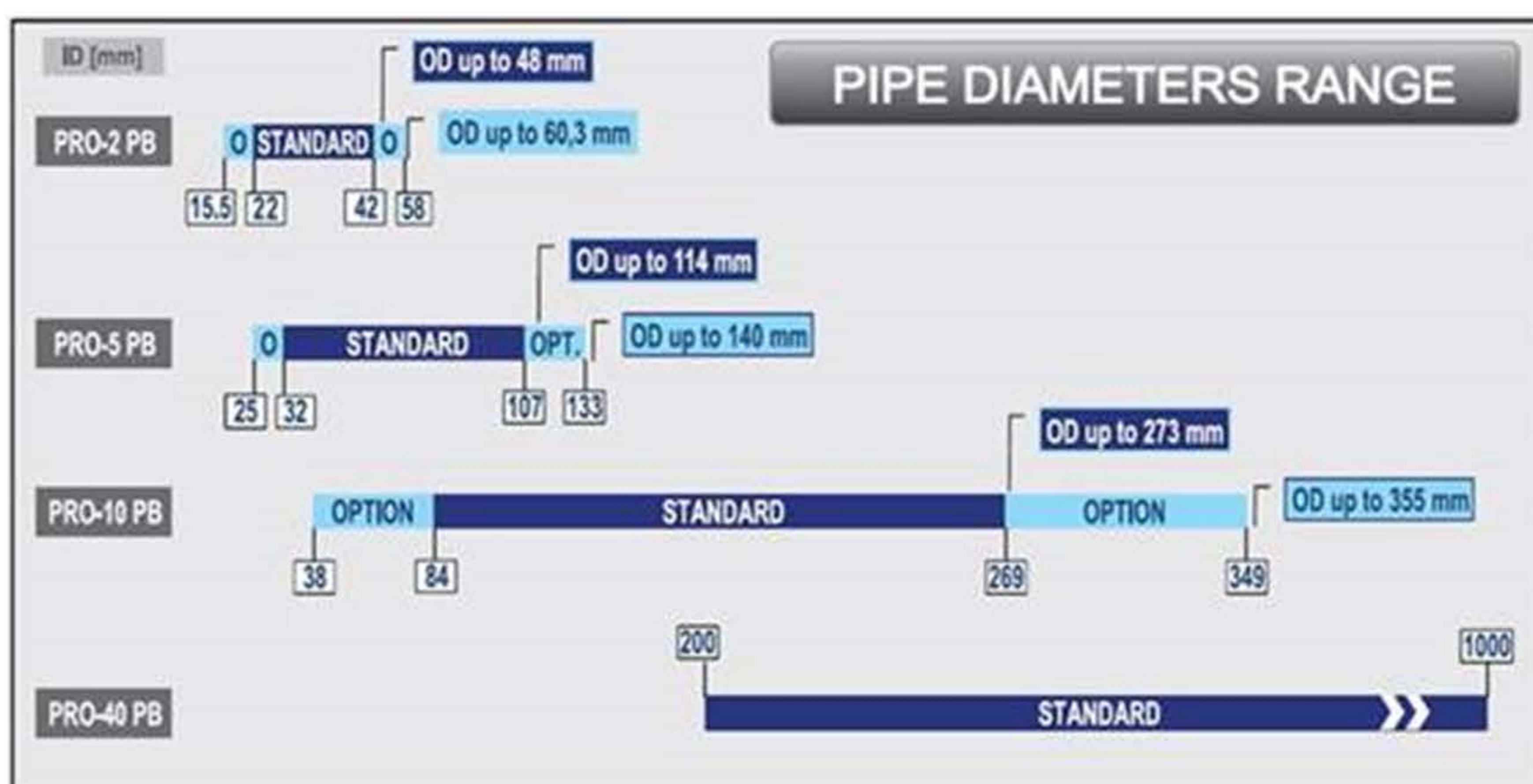


Flange facing insert
PLY-000533
Product Code:
PB10-FFI



Air preparation set
Product Code: PB10-APS

Flange diameter	90–508 mm (3.54–20")
Automatic feed range	180.5 mm (7.11")
Diameter of rotating parts	569.4 mm (22.42")
Pipe ID	84–269mm (3.31–10.59") using the standard expanding mandrel 219–376 mm (8.62–13.74") using the large expanding mandrel
Feed per rotation	0.33 mm (0.013", with one tripper block engaged) 0.66 mm (0.026", with two tripper blocks engaged)



Oval attachment set incl. large mandrel for pipe ID Ø
126 – 296 mm (5 to 11-5/8")

Product Code: PB10-OAS

CALL 01706 229 490 TO BOOK YOUR DEMONSTRATION NOW OR VISIT WWW.STEELBEAST.CO.UK