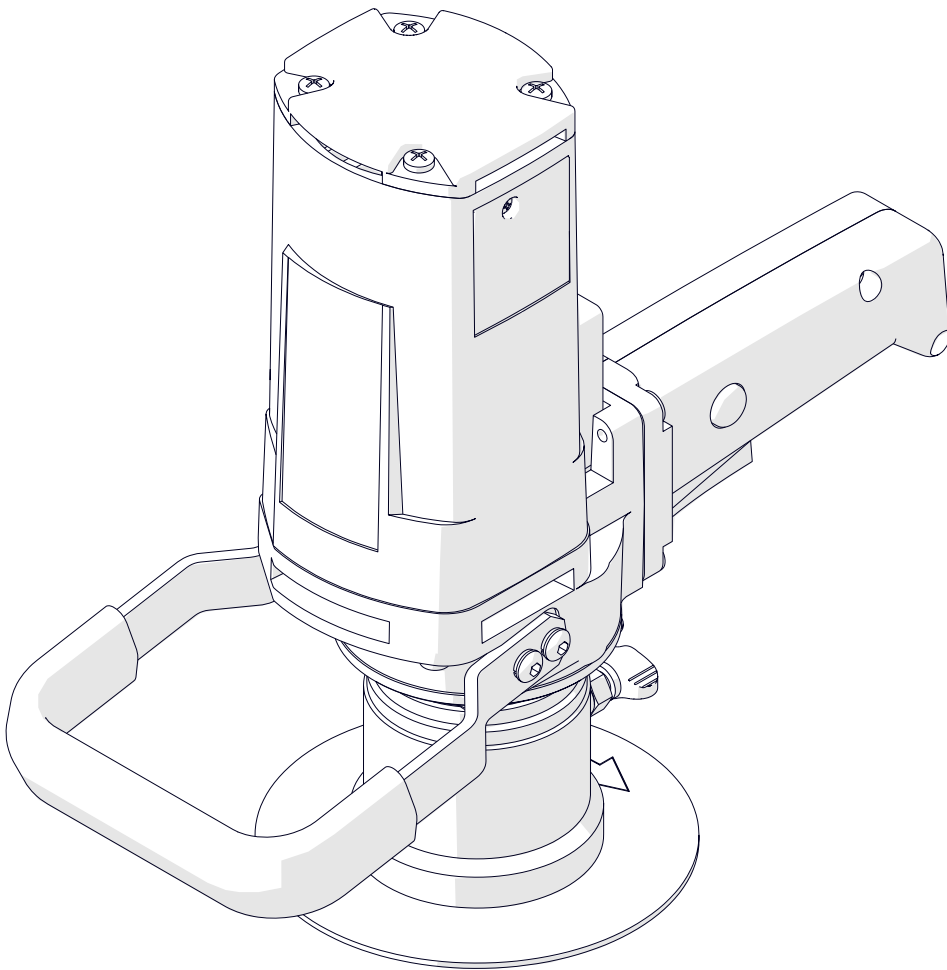
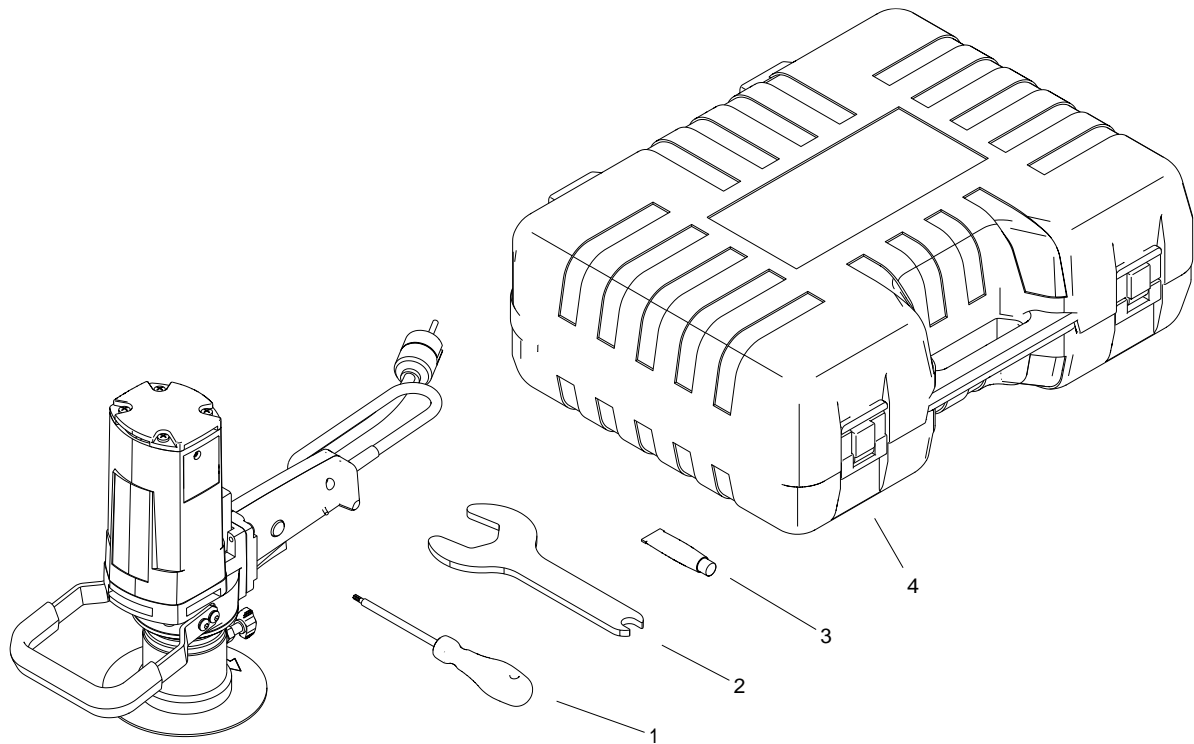


Parts list

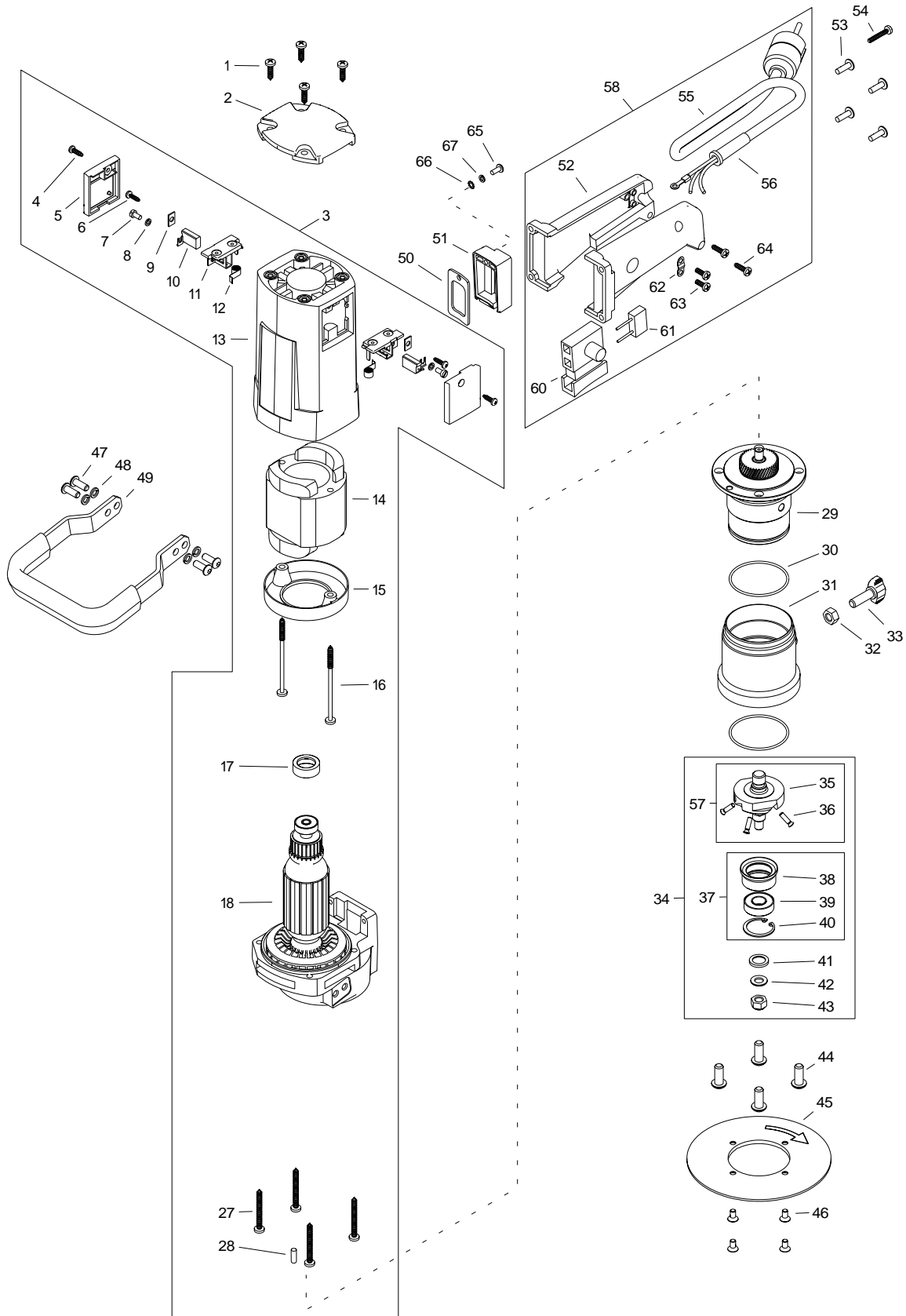
BM-7

BEVELLING MACHINE





ITEM	PART NUMBER	DESCRIPTION	Q-TY
1	WKT-000005	T15P TORX PLUS SCREWDRIVER	1
2	KLC-0540-07-00-00-0	SPECIAL FLAT WRENCH	1
3	SMR-000005	GREASE FOR SCREWS	1
4	SKR-000012	PLASTIC BOX	1



ITEM	PART NUMBER	DESCRIPTION	Q-TY
1	WKR-000081	CROSS RECESSED PAN HEAD SELF-TAPPING SCREW 4.8x19	4
2	PKR-0378-11-02-00-0	MOTOR COVER	1
3	SLN-0540-11-00-00-0	MOTOR ASSY - 230V	1
3	SLN-0540-11-00-00-1	MOTOR ASSY - 115V	1
4	WKR-000358	SCREW TW 4x13	2
5	PKR-000015	BRUSH COVER	2
6	WKR-000359	SCREW TW 3.5x13	2
7	WKR-000360	SCREW M4x8	2
8	PDK-000042	SPRING WASHER 4.1	2
9	PLY-000066	PLATE 8x13	2
10	SCZ-000009	BRUSH 6.4x12.5x19	2
11	SCT-000012	BRUSH HOLDER 6.4x12.5 ASSY	2
12	SPR-000032	SPRING 6x0.25	2
13	OBD-0279-02-03-09-3	STATOR HOUSING	1
14	STN-000041	STATOR – 230V	1
14	STN-000042	STATOR – 115V	1
15	PON-000001	STATOR GUARD	1
16	WKR-000357	SCREW GB 4.8x85	2
17	WKL-000008	BEARING INSERT 22x9	1
18	ZSP-0540-99-04-00-0	ROTOR SET ASSY – 230V	1
18	ZSP-0540-99-04-00-1	ROTOR SET ASSY – 115V	1
25	PRS-000336	SEAL RING 12x20x5	1
26	PRS-000344	INTERNAL RETAINING RING 20w	1
27	WKR-000511	SCREW TW 5x45	4
28	KLK-000046	DOWEL PIN 5n6x14	1
29	ZSP-0540-02-00-00-1	SPINDLE ASSY	1
30	PRS-000337	O-RING 52x2	2
31	TLJ-0540-03-00-00-0	SLEEVE ASSY	1
32	NKR-000019	HEX NUT M8	1
33	PKT-000055	KNOB M8x25	1
34	GLW-0540-08-00-00-0	RADIUS MILLING HEAD ASSY	1
35	KRP-0540-08-01-00-0	RADIUS MILLING HEAD BODY	1
36	SRB-000289	MOUNTING SCREW FOR ROUNDING INSERT	4
37	RLK-0540-08-02-00-0	ROLLER ASSY	1
38	RLK-0540-08-02-01-0	ROLLER	1
39	LOZ-000038	BALL BEARING 12x28x8	1
40	PRS-000018	INTERNAL RETAINING RING 28w	1
41	PDK-0540-08-03-00-0	WASHER	1
42	PDK-000202	SMALL ROUND WASHER 8.4	1
43	NKR-000038	HEX NUT M8 WITH POLYAMID INSERT	1
44	WKR-000437	HEX SOCKET BUTTON HEAD SCREW M8x20	4
45	TRC-0540-04-00-00-0	GUIDE	1
46	WKR-000538	TORX COUNTERSUNK HEAD SCREW M5x10	4
47	WKR-000290	HEX SOCKET BUTTON HEAD SCREW M6x12	4
48	PDK-000046	SPRING WASHER 6.1	4
49	UCW-0540-06-00-00-0	HANDLE ASSY	1
50	USZ-0279-02-07-00-0	SEAL	1
51	PSZ-0540-05-00-00-0	WIRE COVER	1
52	RKJ-000066	MOTOR HANDLE	1
53	WKR-000449	HEX SOCKET ROUND HEAD SCREW WITH FLANGE M5x16	4
54	WKR-000421	CROSS RECESSED OVAL PAN HEAD SCREW FOR PLASTIC 4x25	1
55	PWD-0540-18-00-00-0	POWER CORD - 230V - CEE	1

This document is protected by copyrights.

Copying, using, or distributing without permission of JEI Group Ltd is prohibited.

ITEM	PART NUMBER	DESCRIPTION	Q-TY
55	PWD-0540-18-00-01-0	POWER CORD - 230V - AU	1
55	PWD-0540-18-00-02-0	POWER CORD - 230V - INDIA	1
55	PWD-0540-18-00-03-0	POWER CORD - 230V – UK TYP G	1
55	PWD-0540-18-00-04-0	POWER CORD – 120V - US	1
56	ODG-000003	STRAIN RELIEF	1
57	KRP-0540-99-01-00-0	RADIUS MILLING HEAD BODY ASSY	1
58	RKJ-0540-20-00-00-0	MOTOR HANDLE ASSY - CEE	1
58	RKJ-0540-20-00-01-0	MOTOR HANDLE ASSY - AU	1
58	RKJ-0540-20-00-02-0	MOTOR HANDLE ASSY - INDIA	1
58	RKJ-0540-20-00-03-0	MOTOR HANDLE ASSY – UK TYP G	1
58	RKJ-0540-20-00-04-0	MOTOR HANDLE ASSY - US	1
59*	WZK-0540-19-00-00-0	POWER SWITCH WIRE SET	1
60	WLC-000046	POWER SWITCH	1
61	KND-000175	CAPACITOR	1
62	BLD-000025	CORD LOCK	1
63	WKR-000517	SCREW 4.2x13	2
64	WKR-000500	SCREW 4.2x16	2
65	WKR-000183	CROSS RECESSED PAN HEAD SCREW M4x10	1
66	PDK-000060	EXTERNAL TOOTH LOCK WASHER 4.3	1
67	PDK-000043	SPRING WASHER 4.1	1
-	SMR-000003	GREASE	0.05 kg

*not shown in the drawing