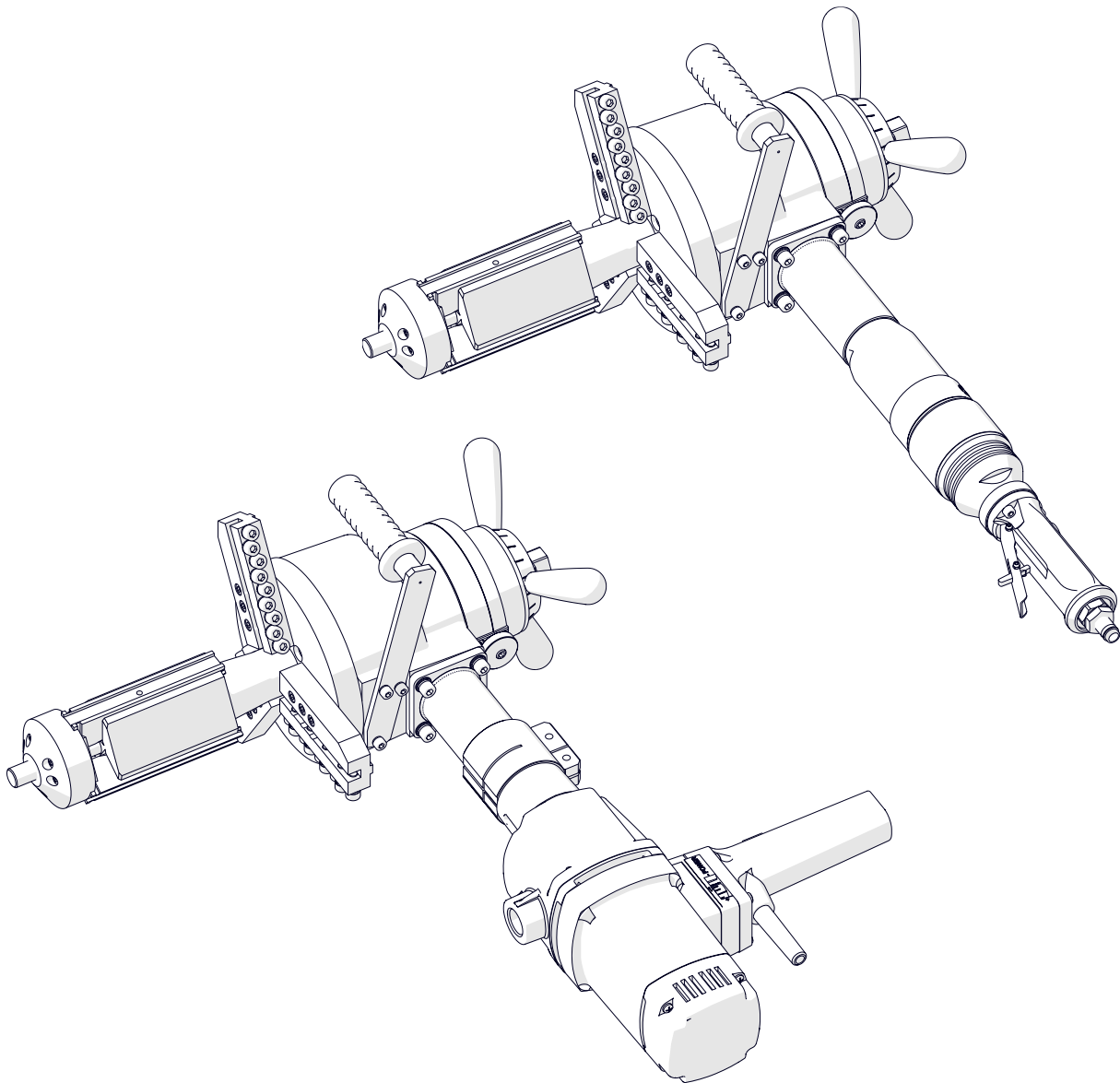
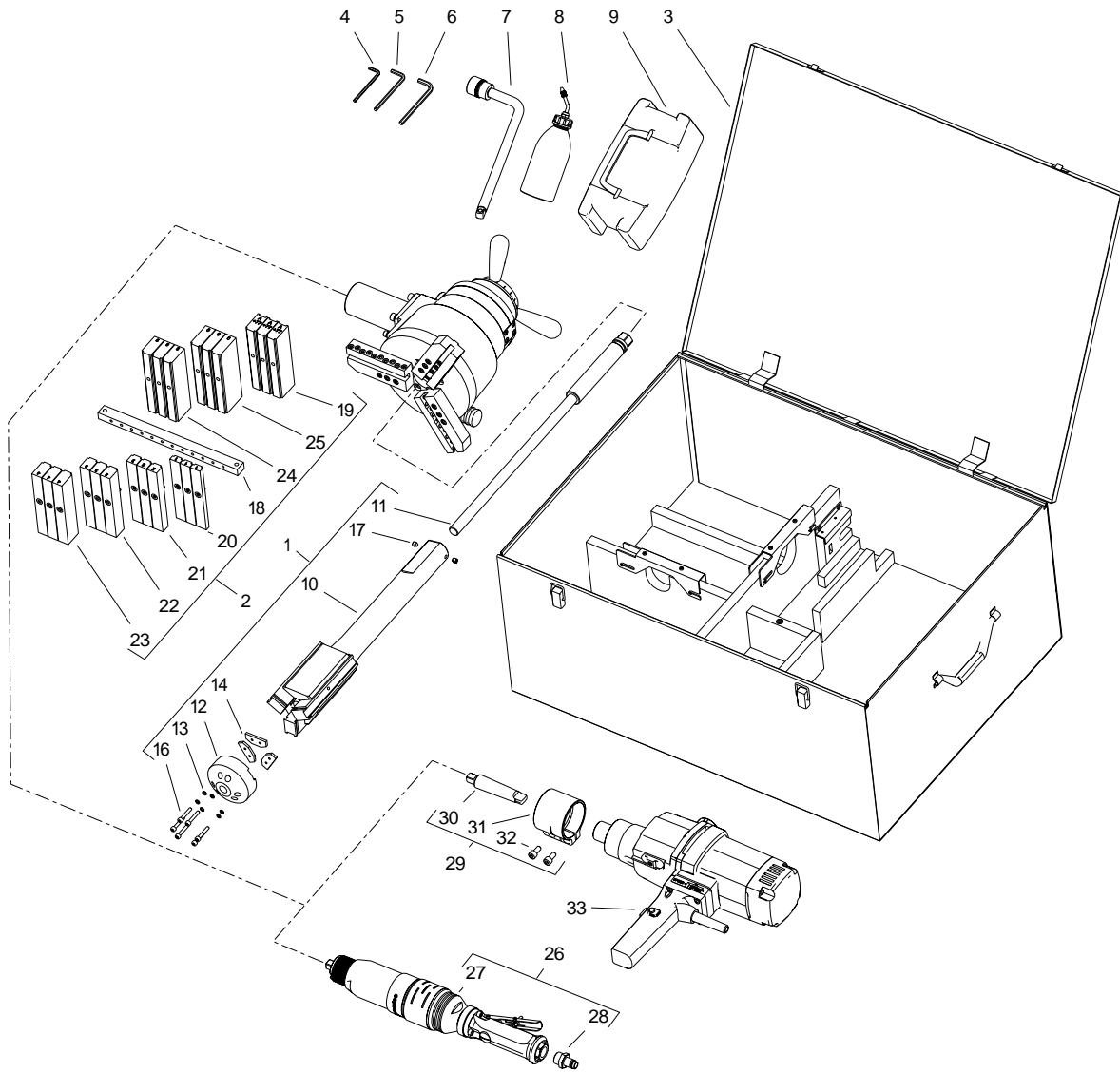


## Parts list

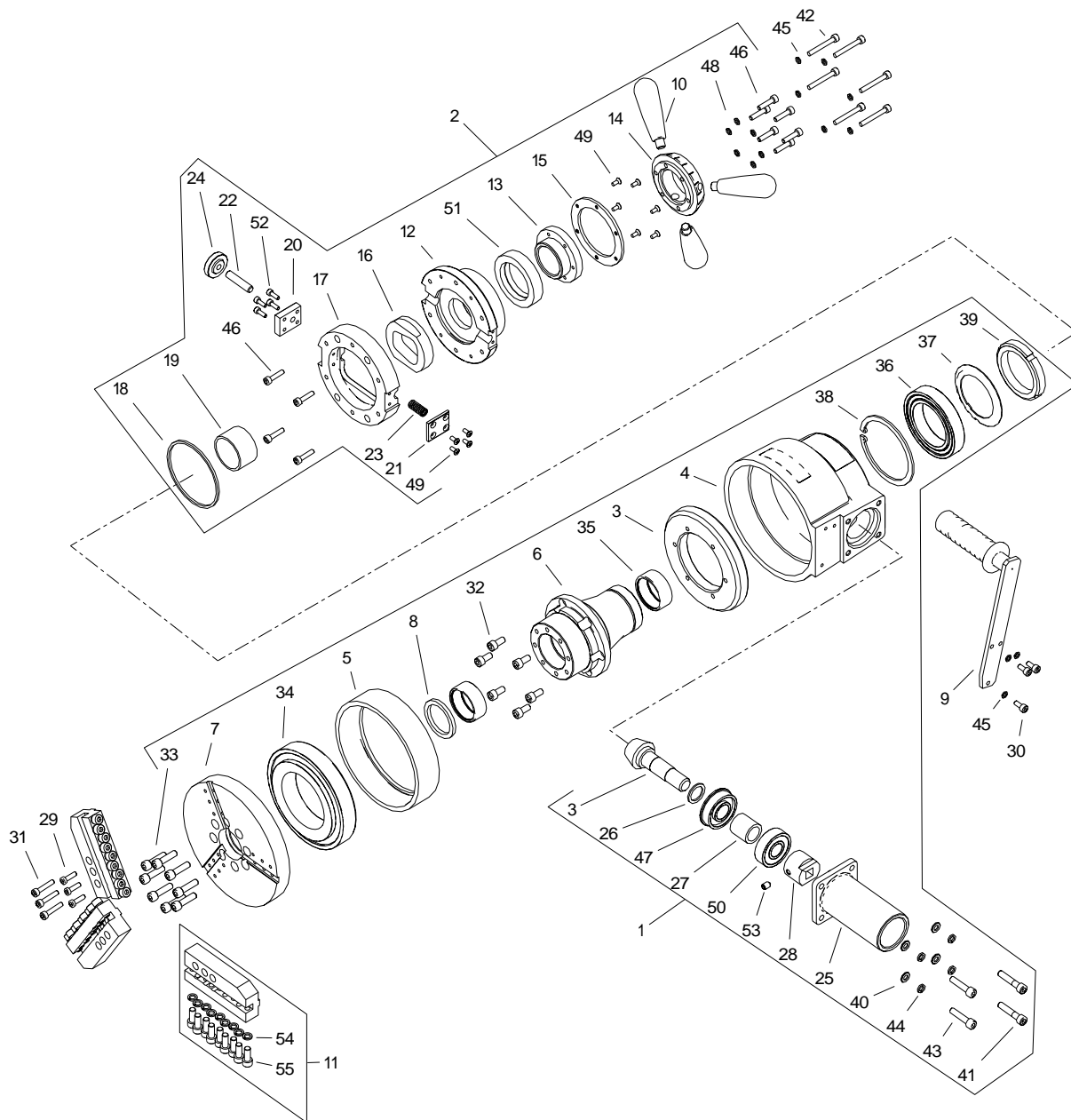
# PRO 10 PB (PBE) PIPE BEVELLING MACHINE





ITEM	PART NUMBER	DESCRIPTION	Q-TY
1	TRZ-0200-04-01-00-2	STANDARD EXPANDING MANDREL ASSY	1
2	ZST-0200-20-00-00-0	JAW BLOCKS AND ADAPTERS SET	1
3	SKR-0200-08-00-00-1	METAL BOX	1
4	KLC-000056	4 MM HEX WRENCH WITH BALL END	1
5	KLC-000057	5 MM HEX WRENCH WITH BALL END	1
6	KLC-000009	6 MM HEX WRENCH	1
7	KLC-000001	24 MM SOCKET WRENCH	1
8	PJM-000003	COOLANT CONTAINER	1
9	PJM-000010	TOOL CONTAINER	1
10	TRZ-0200-04-20-00-1	MANDREL ASSY	1
11	SRB-0200-04-02-00-1	MANDREL SCREW	1
12	NKR-0200-04-03-00-0	MANDREL NUT	1
13	PDK-000045	SPRING WASHER 5.1	6
14	PLY-0200-04-04-00-0	NUT PLATE	3
16	SRB-000089	HEX SOCKET HEAD CAP SCREW M5x30	6
17	WKR-000023	HEX SOCKET SET SCREW WITH DOG POINT M8x8	2
18	PLY-0200-20-08-00-0	STANDARD BLOCK BAR	1
19	KPL-0200-20-07-00-0	ADAPTER SET	1
20	KPL-0200-20-01-00-0	BLOCK SET L=11.5	1

ITEM	PART NUMBER	DESCRIPTION	Q-TY
21	KPL-0200-20-02-00-0	BLOCK SET L=19.2	1
22	KPL-0200-20-03-00-0	BLOCK SET L=26.9	1
23	KPL-0200-20-04-00-0	BLOCK SET L=34.6	1
24	KPL-0200-20-05-00-0	BLOCK SET L=42.3	1
25	KPL-0200-20-06-00-0	BLOCK SET L=49.5	1
26	SLN-0200-15-00-00-0	AIR MOTOR ASSY	1
27	SLN-000195	AIR MOTOR	1
28	KRC-000010	MALE PLUG, G1/2" 10.4 mm	1
29	ZST-0200-99-01-00-0	ELECTRIC MOTOR CONNECTING SET	1
30	TRZ-0200-00-02-00-0	MOTOR ARBOR	1
31	OBJ-0200-00-01-00-0	CLAMPING RING	1
32	SRB-000142	HEX SOCKET HEAD CAP SCREW M8x16	2
33	SLN-000094	MOTOR ASSY 1800W – 230V (CEE)	1
33	SLN-000102	MOTOR ASSY 1800W – 115V (US)	1
33	SLN-000120	MOTOR ASSY 1800W – 115V (UK)	1



ITEM	PART NUMBER	DESCRIPTION	Q-TY
1	ZSP-0200-01-00-00-3	SPINDLE ASSY	1
2	ZSP-0200-02-00-00-1	FEED ASSY	1
3	PKL-0200-09-00-00-0	BEVEL GEAR SET	1
4	KRP-0200-01-01-00-4	SPINDLE BODY	1
5	TLJ-0200-01-02-00-2	BEARING BUSH	1
6	WRZ-0200-01-03-00-1	SPINDLE	1
7	TRC-0200-01-04-00-1	SPINDLE DISK	1
8	USZ-0200-01-05-00-0	FELT SEAL	1
9	UCW-0200-07-00-00-0	HANDLE ASSY	1
10	DZW-0200-02-07-00-0	LEVER	3
11	OBS-0200-01-06-00-4	ALUMINIUM TOOL HOLDER	2
11	OBS-0200-01-06-00-5	STEEL TOOL HOLDER	1
12	KRP-0200-02-01-00-2	FEED BODY	1
13	NKR-0200-02-02-00-0	DRIVE NUT	1
14	TRC-0200-02-03-00-0	NUT DISK	1
15	OGR-0200-02-04-00-0	NUT LIMITER	1

ITEM	PART NUMBER	DESCRIPTION	Q-TY
16	OBJ-0200-02-08-00-0	LOCKING CLASP	1
17	BLD-0200-02-09-00-0	CLASP LOCK	1
18	PRS-0200-02-10-00-0	BEARING STOPPER RING	1
19	TLJ-0200-02-11-00-0	DISTANCE BUSH	1
20	PLY-0200-02-12-00-0	SCREW STOPPER PLATE	1
21	PLY-0200-02-13-00-0	SPRING STOPPER PLATE	1
22	SRB-0200-02-14-00-0	SET SCREW	1
23	SPR-0200-02-15-00-0	SPRING	1
24	NKR-0200-02-16-00-0	KNURLED NUT	1
25	KRP-0200-03-01-00-1	DRIVE BODY	1
26	PRS-0200-03-02-00-0	DISTANCE RING	1
27	TLJ-0200-03-04-00-0	DISTANCE BUSH	1
28	ZBI-0200-03-05-00-0	DRIVER	1
29	SRB-000304	LOW HEAD SOCKET CAP SCREW M6x20	9
30	SRB-000105	HEX SOCKET HEAD CAP SCREW M6x14	3
31	SRB-000118	HEX SOCKET HEAD CAP SCREW M6x30	9
32	SRB-000142	HEX SOCKET HEAD CAP SCREW M8x16	6
33	SRB-000155	HEX SOCKET HEAD CAP SCREW M8x30	8
34	LOZ-000078	CONE BEARING 85x150x30	1
35	LOZ-000011	NEEDLE BEARING 45x52x20	2
36	LOZ-000021	ANGULAR BALL BEARING 65x100x18	1
37	PDK-000069	BEARING TOOTHED WASHER MB-3	1
38	PRS-000001	INTERNAL RETAINING RING 100w	1
39	NKR-000048	BEARING NUT KM-13	1
40	PDK-000202	SMALL ROUND WASHER 8.4	4
41	SRB-000157	HEX SOCKET HEAD CAP SCREW M8x40	2
42	SRB-000126	HEX SOCKET HEAD CAP SCREW M6x45	6
43	SRB-000156	HEX SOCKET HEAD CAP SCREW M8x35	2
44	PDK-000051	SPRING WASHER 8.2	4
45	PDK-000046	SPRING WASHER 6.1	9
46	SRB-000115	HEX SOCKET HEAD CAP SCREW M6x25	10
47	LOZ-000077	BEARING 22x52x15	1
48	PDK-000046	SPRING WASHER 6.1	6
49	WKR-000431	CROSS RECESSED OVAL COUNTERSUNK HEAD SCREW M5x12	10
50	LOZ-000074	BALL BEARING 20x52x15	1
51	LOZ-000033	THRUST BALL BEARING 55x78x16	1
52	SRB-000082	HEX SOCKET HEAD CAP SCREW M5x14	4
53	WKR-000315	HEX SOCKET SET SCREW WITH DOG POINT M8x12	1
54	PDK-000054	SPRING WASHER 8.2	9
55	SRB-000148	HEX SOCKET HEAD CAP SCREW M8x20	9