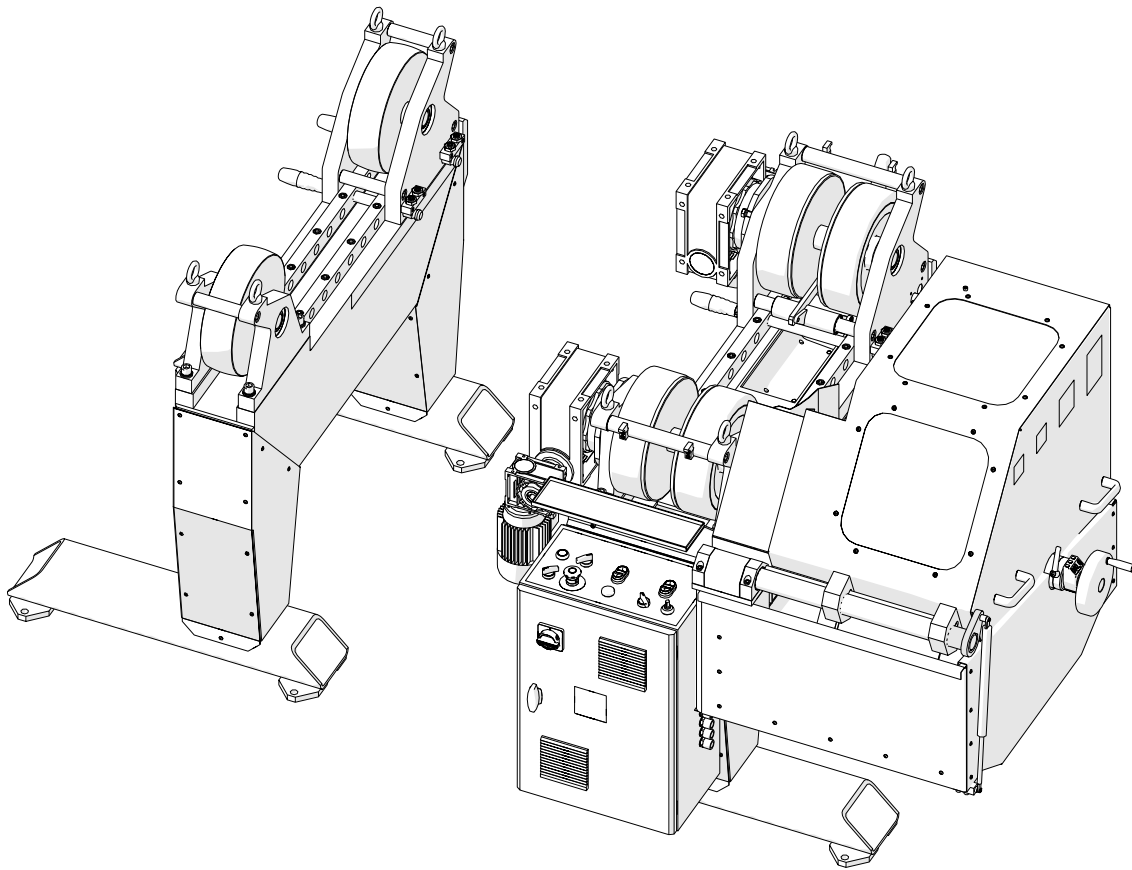


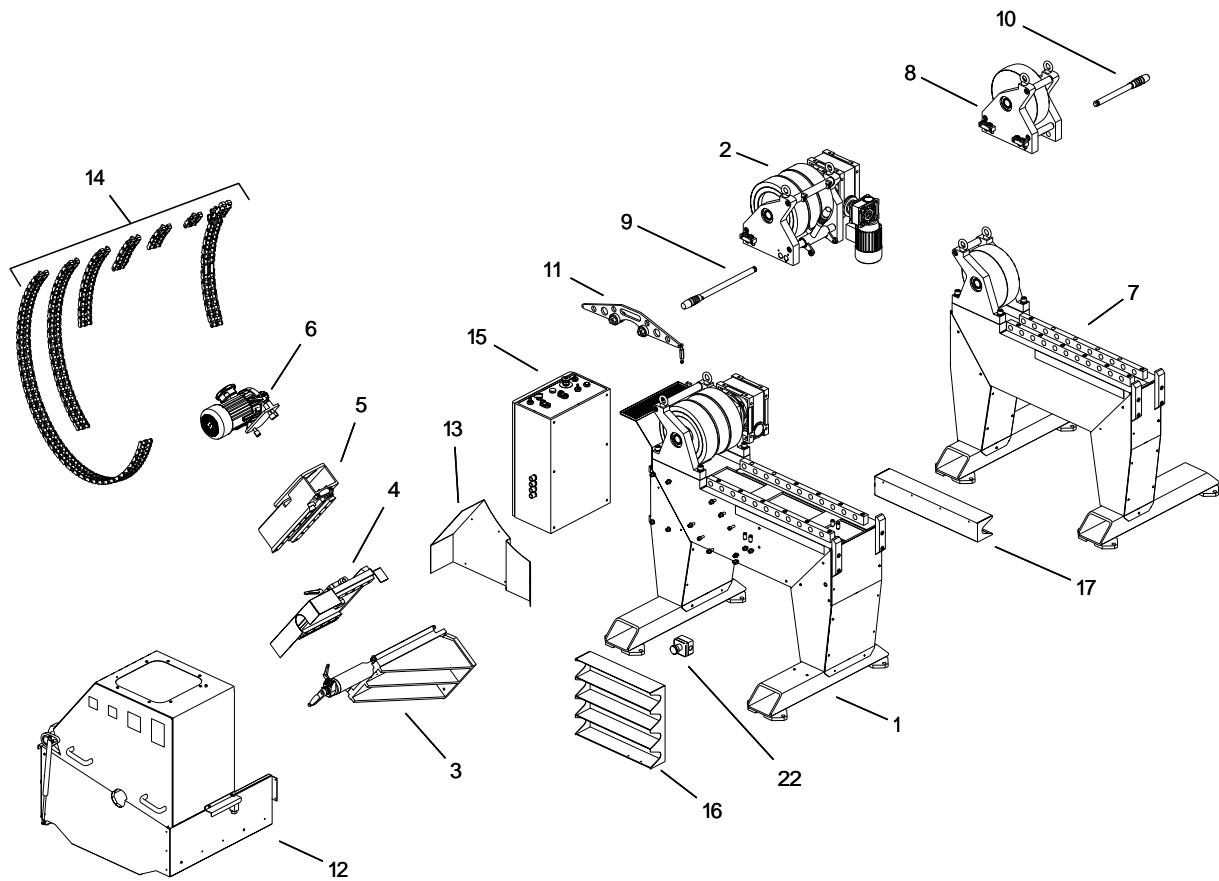
PARTS LIST

PB40-PBS **STATIONARY** **PIPE BEVELLING MACHINE**



Unit 21 Empire Business Park, Enterprise Way, Burnley, Lancashire,
BB12 6LT, Tel: 01706 229490 Fax: 01706 507347

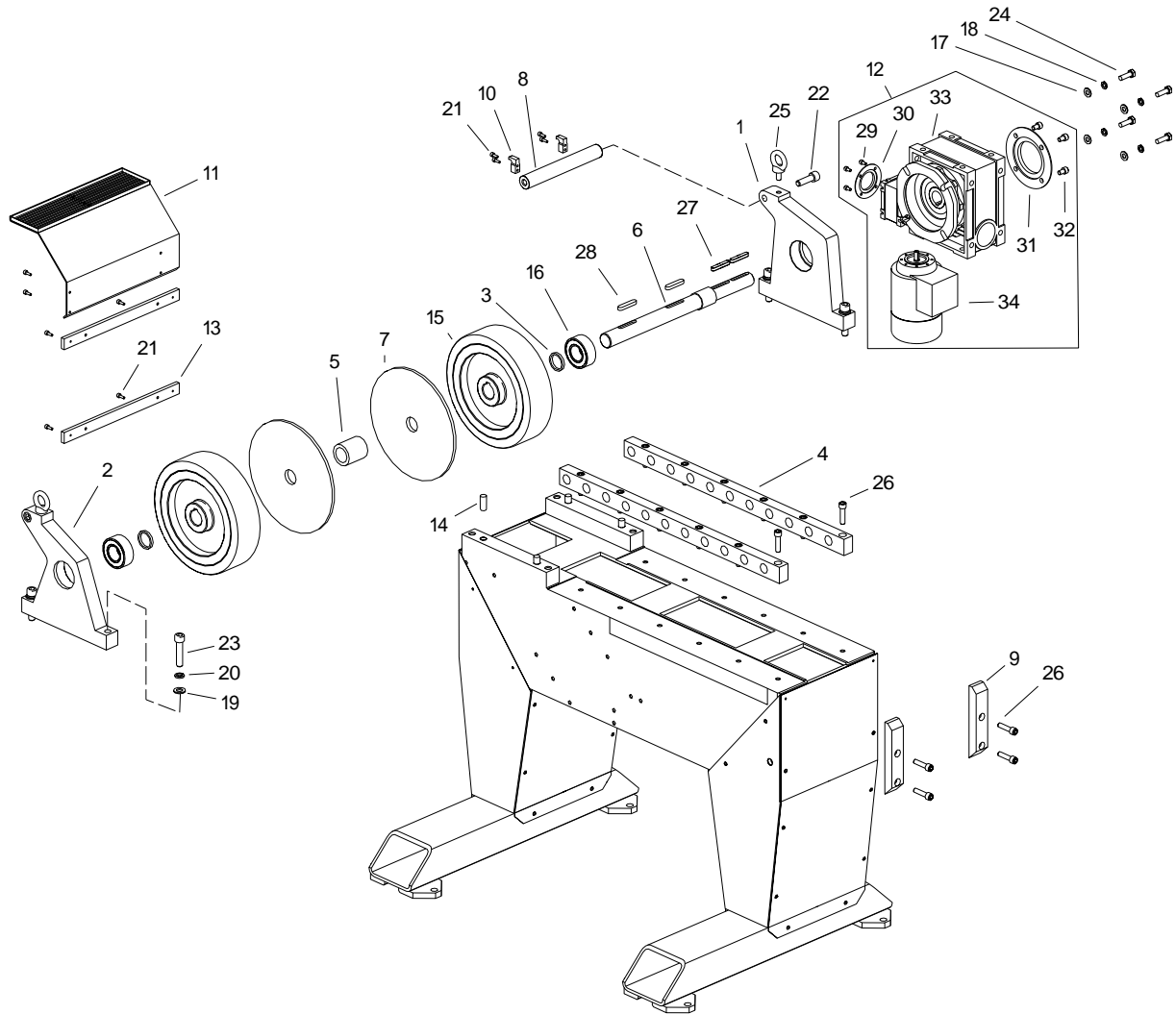
www.steelbeast.co.uk Email: sales@steelbeast.co.uk



ITEM	PART NUMBER	DESCRIPTION	Q-TY
1	ZSP-0436-01-00-00-0	ACTIVE SUPPORT	1
2	ZSP-0436-02-00-00-0	MOVABLE ROLLERS UNIT	1
3	STL-0436-03-00-00-0	SIDE TABLE COMPLETE	1
4	STL-0436-04-00-00-0	CROSS TABLE COMPLETE	1
5	WSP-0436-05-00-00-0	MILLING UNIT BRACKET COMPLETE	1
6	ZSP-0436-06-00-00-1	MILLING UNIT	1
7	ZSP-0436-08-00-00-0	PASSIVE SUPPORT	1
8	ZSP-0436-09-00-00-0	MOVABLE ROLLERS UNIT OF PASSIVE SUPPORT	1
9	SWR-0436-10-00-00-0	LONG PIVOT COMPLETE	2
10	SWR-0436-11-00-00-0	SHORT PIVOT COMPLETE	2
11	DCS-0436-12-00-00-0	TOP CLAMP ASSY	1
12	KPL-0436-15-00-00-0	MILLING UNIT COVER FULL SET	1
13	OSL-0436-16-00-00-0	COVER	1
14	LNC-0436-17-00-00-0	CHAIN COMPLETE	1
15	SZF-0436-18-00-00-0	CONTROL CABINET	1
16	PJM-0436-21-01-00-0	CHAIN CONTAINER	1
17	PJM-0436-22-00-00-0	CLAMP CONTAINER	1
18*	PDK-000021	ROUND WASHER 6.4	4
19*	PDK-000026	ROUND WASHER 10.5	14
20*	PDK-000052	SPRING WASHER 10.2	14
21*	WKR-000096	HEX SOCKET BUTTON HEAD SCREW M5x10	18
22*	PRC-000014	EMERGENCY BUTTON	1
23*	PDK-000046	SPRING WASHER 6.1	4
24*	SRB-000101	HEX SOCKET BOLT M6x10	4

ITEM	PART NUMBER	DESCRIPTION	Q-TY
25*	SRB-000048	HEX SOCKET BOLT M10x35	14
26*	KLC-000008	5 MM HEX WRENCH	1
27*	KLC-000011	8 MM HEX WRENCH	1
28*	KLC-000004	10 MM HEX WRENCH	1
29*	WKT-000005	T15P TORX PLUS SCREWDRIVER	1
30*	OPK-000001	PLASTIC BOX	1

* - not shown in the drawing

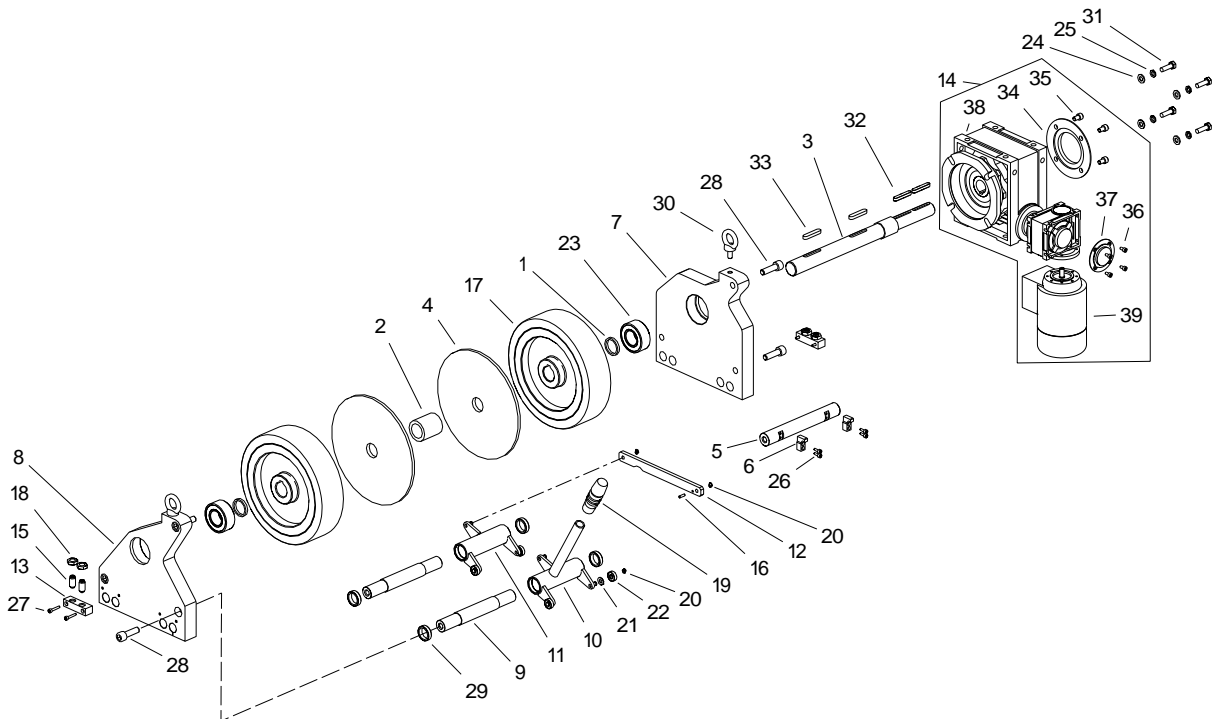


ZSP-0436-01-00-00-0		ACTIVE SUPPORT	
ITEM	PART NUMBER	DESCRIPTION	Q-TY
1	OPR-0436-01-02-00-0	BEARING MOUNTING I	1
2	OPR-0436-01-03-00-0	BEARING MOUNTING II	1
3	DYS-0436-01-04-00-0	WHEEL SPACER	2
4	PRW-0436-01-05-00-0	GUIDE	2
5	TLJ-0436-01-06-00-0	SPACER SLEEVE	1
6	WLK-0436-01-07-00-0	DRIVE SHAFT	1
7	PRW-0436-01-08-00-1	CHAIN GUIDE	2
8	LCZ-0436-01-09-00-0	CONNECTOR	1
9	ZDR-0436-01-15-00-0	BUMPER	2
10	ZCZ-0436-01-16-00-0	HOOK	2
11	OSL-0436-01-17-00-0	CONSOLE COVER COMPLETE	1

This document is protected by copyrights.

Copying, using, or distributing without permission of ANSA Group Ltd is prohibited.

ZSP-0436-01-00-00-0		ACTIVE SUPPORT	
ITEM	PART NUMBER	DESCRIPTION	Q-TY
12	MTR-0436-01-18-00-1	GEAR-MOTOR	1
13	WSP-0436-14-00-00-0	CABINET BRACKET	2
14	KLK-000098	DOWEL PIN 16n6x40	4
15	KOL-000132	WHEEL WITH TIRE	2
16	LOZ-000122	DOUBLE-ROW ANGULAR BALL BEARING 40x80x30	2
17	PDK-000118	ROUND WASHER 13	4
18	PDK-000053	SPRING WASHER 12.2	4
19	PDK-000180	ROUND WASHER 17	4
20	PDK-000154	SPRING WASHER 16.2	4
21	SRB-000106	HEX SOCKET HEAD CAP SCREW M6x16	12
22	SRB-000316	HEX SOCKET HEAD CAP SCREW M16x50	2
23	SRB-000317	HEX SOCKET HEAD CAP SCREW M16x70	4
24	SRB-000195	FULL THREAD HEX HEAD BOLT M12x35	4
25	SRB-000168	EYE BOLT M12	2
26	SRB-000054	HEX SOCKET HEAD CAP SCREW M12x45	16
27	WPS-000073	ROUNDED PRISMATIC KEY 10x8x60	2
28	WPS-000032	PRISMATIC KEY 12x8x60	2
29	SRB-000102	HEX SOCKET HEAD CAP SCREW M6x12	4
30	PKR-000124	COVER PCV 40	1
31	PKR-000125	COVER PCV 90	1
32	SRB-000464	HEX SOCKET HEAD CAP SCREW M10x16	4
33	RDK-000012	GEARBOX	1
34	SLN-000201	MOTOR	1

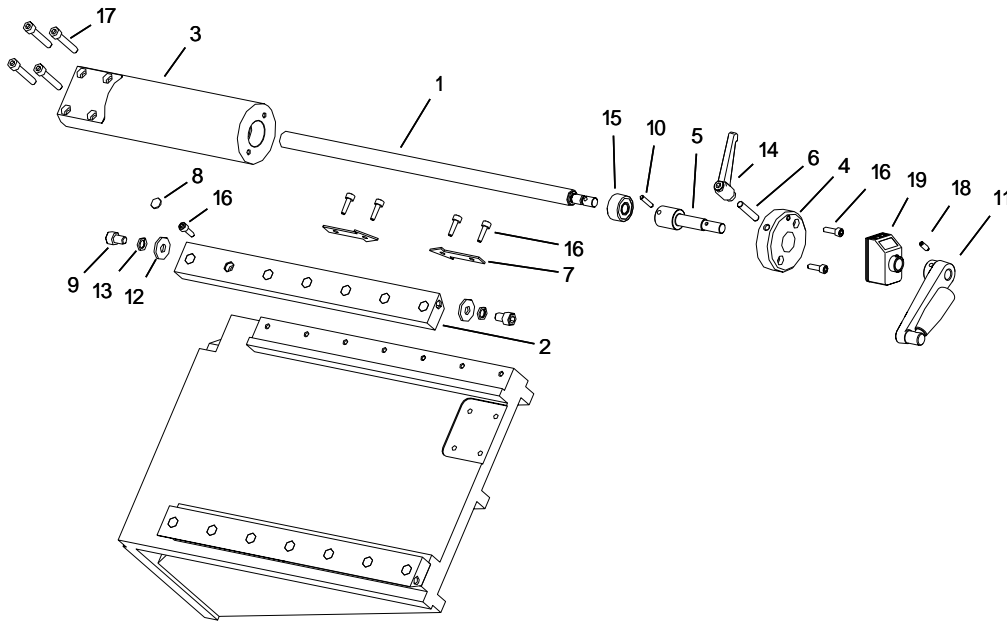


ZSP-0436-02-00-00-0		MOVABLE ROLLERS UNIT	
ITEM	PART NUMBER	DESCRIPTION	Q-TY
1	DYS-0436-01-04-00-0	WHEEL SPACER	2
2	TLJ-0436-01-06-00-0	SPACER SLEEVE	1
3	WLK-0436-01-07-00-0	DRIVE SHAFT	1

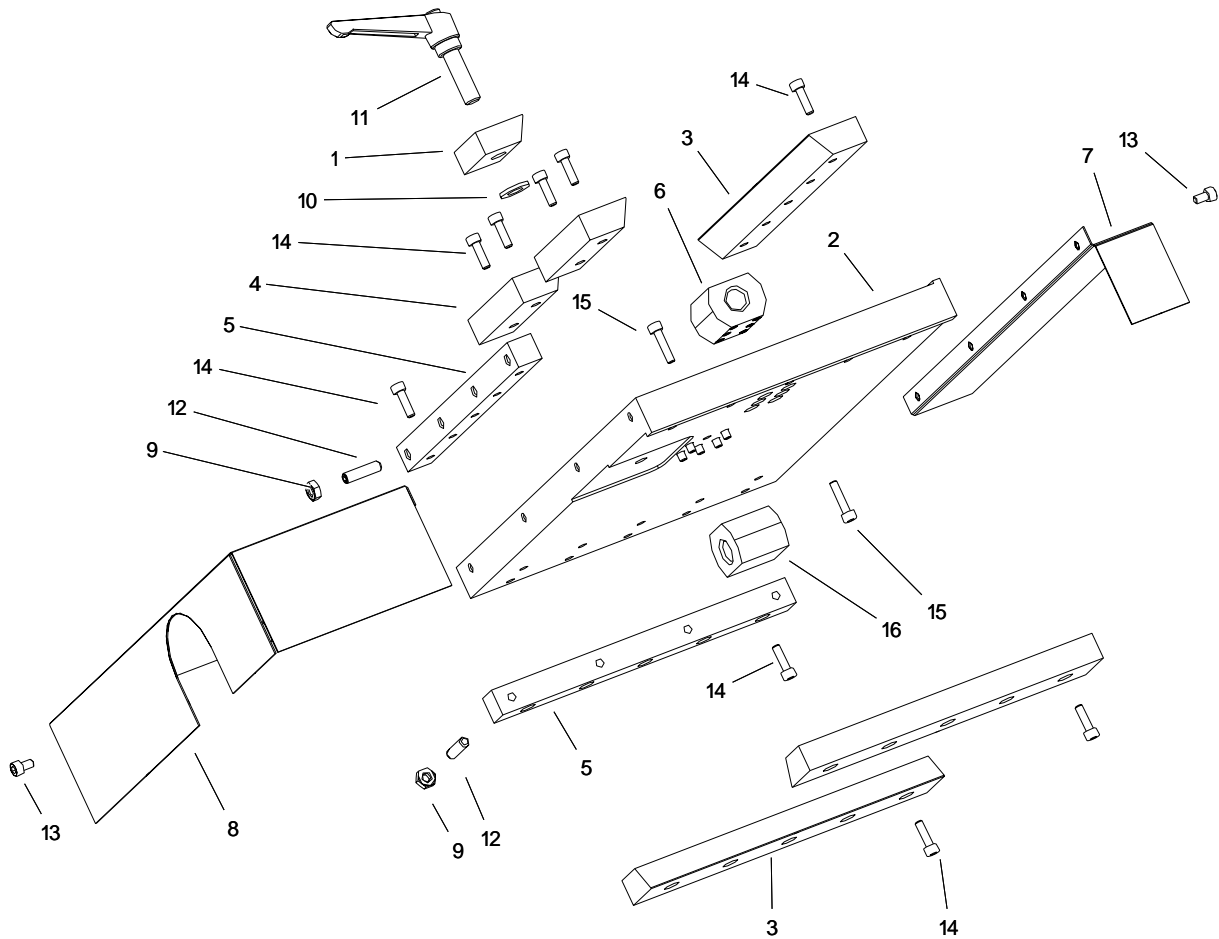
This document is protected by copyrights.

Copying, using, or distributing without permission of ANSA Group Ltd is prohibited.

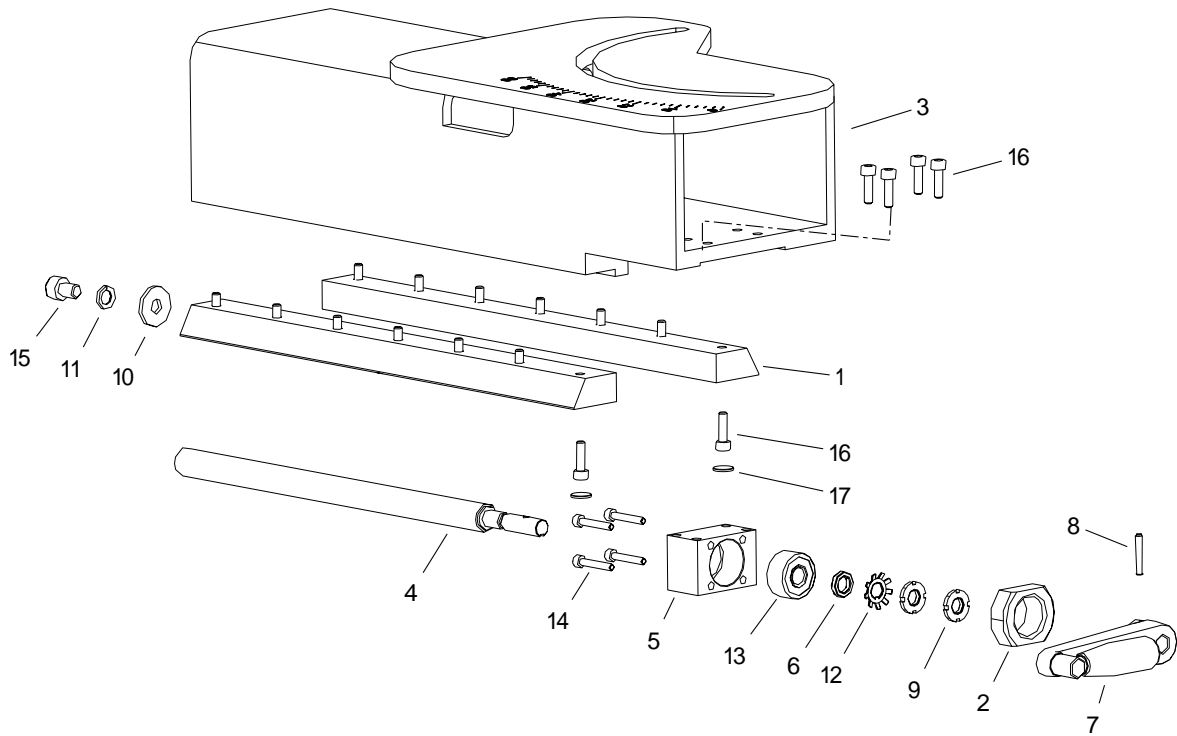
ZSP-0436-02-00-00-0		MOVABLE ROLLERS UNIT	
ITEM	PART NUMBER	DESCRIPTION	Q-TY
4	PRW-0436-01-08-00-1	CHAIN GUIDE	2
5	LCZ-0436-01-09-00-0	CONNECTOR	1
6	ZCZ-0436-01-16-00-0	HOOK	2
7	OPR-0436-02-01-00-0	BEARING MOUNTING I	1
8	OPR-0436-02-02-00-0	BEARING MOUNTING II	1
9	LCZ-0436-02-03-00-0	CONNECTOR	2
10	KRP-0436-02-04-00-0	LIFTING UNIT BODY	1
11	KRP-0436-02-05-00-0	LIFTING UNIT BODY II	1
12	CGN-0436-02-06-00-0	STRING	1
13	OPR-0436-02-07-00-0	CATCH MOUNTING	2
14	MTR-0436-02-08-00-1	GEAR-MOTOR	1
15	ZTR-0167-18-00-00-0	BALL CATCH COMPLETE	4
16	KLK-000083	DOWEL PIN 6n6x18	1
17	KOL-000132	WHEEL WITH TIRE	2
18	NKR-000084	LOW HEX. NUT M16x1.5	4
19	OSL-000147	HANDLE COVER	1
20	PRS-000002	EXTERNAL RETAINING RING 10z	6
21	PDK-000026	ROUND WASHER 10.5	4
22	LOZ-000034	BALL BEARING 10x26x8	4
23	LOZ-000122	DOUBLE-ROW ANGULAR BALL BEARING 40x80x30	2
24	PDK-000118	ROUND WASHER 13	4
25	PDK-000053	SPRING WASHER 12.2	4
26	SRB-000106	HEX SOCKET HEAD CAP SCREW M6x16	4
27	SRB-000118	HEX SOCKET HEAD CAP SCREW M6x30	4
28	SRB-000316	HEX SOCKET HEAD CAP SCREW M16x50	6
29	TLJ-000016	SLIDE BUSHING 32x40x10	4
30	SRB-000119	HEX SOCKET BOLT M6x30	4
31	SRB-000316	HEX SOCKET BOLT M16x50	6
32	SRB-000195	FULL THREAD HEX HEAD BOLT M12x35	4
33	SRB-000107	HEX SOCKET BOLT M6x16	4
34	PKR-000125	COVER PCV 90	1
35	SRB-000464	HEX SOCKET HEAD CAP SCREW M10x16	4
36	SRB-000102	HEX SOCKET HEAD CAP SCREW M6x12	4
37	PKR-000124	COVER PCV 40	1
38	RDK-000013	GEARBOX	1
39	SLN-000201	MOTOR	1



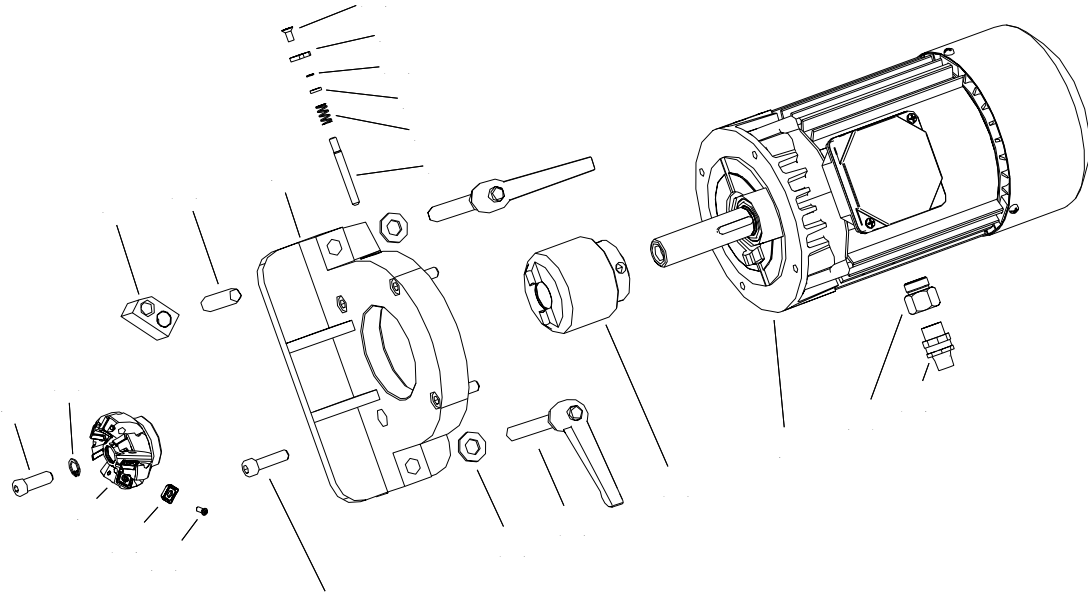
STL-0436-03-00-00-0		SIDE TABLE COMPLETE	
ITEM	PART NUMBER	DESCRIPTION	Q-TY
1	SRB-0436-03-05-00-0	SCREW Y	1
2	PRW-0436-03-02-00-0	GUIDE Y	2
3	OPR-0436-03-07-00-0	BEARING MOUNTING	1
4	PKR-0436-03-08-00-1	COVER	1
5	WLK-0436-03-09-00-1	SHAFT	1
6	SRB-0436-03-10-00-0	CLAMPING SCREW	1
7	WSK-0436-03-11-00-0	ARROW	2
8	ZLP-0436-03-12-00-0	CAP	14
9	SRB-000319	HEX SOCKET HEAD CAP SCREW M10x14	2
10	KLK-000091	DOWEL PIN 5n6x25	1
11	KBA-000001	CRANK	1
12	PDK-000109	ROUND WASHER 10.5	2
13	PDK-000052	SPRING WASHER 10.2	2
14	RKJ-000010	HANDLEVER M8-SW	1
15	LOZ-000091	DOUBLE-ROW ANGULAR BALL BEARING 12x32x15.9	1
16	SRB-000114	HEX SOCKET HEAD CAP SCREW M6x20	20
17	SRB-000225	HEX SOCKET HEAD CAP SCREW M8x45	4
18	WKR-000351	HEX SOCKET SET SCREW WITH DOG POINT M6x16	1
19	WSK-000019	ELECTRONIC TRAVEL METER	1



STL-0436-04-00-00-0		CROSS TABLE COMPLETE	
ITEM	PART NUMBER	DESCRIPTION	Q-TY
1	BLD-0436-03-04-00-0	LOCK Y	1
2	PLY-0436-04-01-00-0	MAIN BOARD	1
3	PRW-0436-04-02-00-0	GUIDE X	3
4	PRW-0436-04-03-00-0	GUIDE X II	2
5	DCS-0436-04-04-00-0	CLAMP	2
6	NKR-0436-04-08-00-0	NUT	1
7	OSL-0436-04-06-00-0	LEFT COVER	1
8	OSL-0436-04-07-00-0	RIGHT COVER	1
9	NKR-000092	LOW HEX NUT M8	8
10	PDK-000118	ROUND WASHER 13	1
11	RKJ-000054	HANDLEVER M12-SW	1
12	WKR-000061	HEX SOCKET SET SCREW WITH FLAT POINT M8x30	8
13	SRB-000101	HEX SOCKET BOLT M6x10	8
14	SRB-000114	HEX SOCKET BOLT M6x20	29
15	SRB-000115	HEX SOCKET BOLT M6x25	12
16	NKR-0436-04-05-00-0	NUT	1

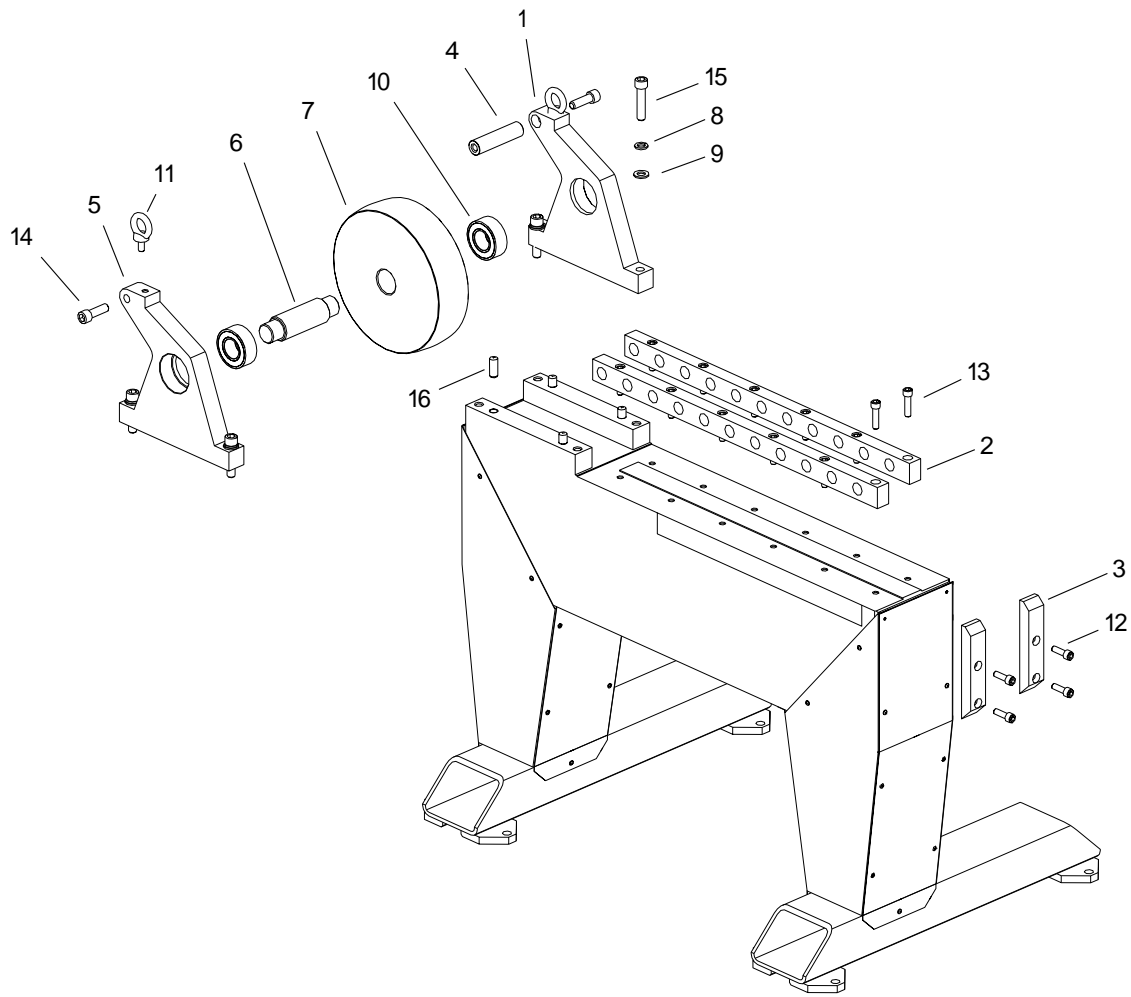


WSP-0436-05-00-00-0		MILLING UNIT BRACKET COMPLETE	
ITEM	PART NUMBER	DESCRIPTION	Q-TY
1	PRW-0436-03-02-00-0	GUIDE Y	2
2	PKR-0436-03-06-00-0	COVER	1
3	WSP-0436-05-01-00-0	MILLING UNIT BRACKET	1
4	SRB-0436-05-03-00-0	SCREW X	1
5	OPR-0469-20-05-00-0	MAIN BEARING MOUNTING	1
6	TLJ-0469-20-12-00-0	SCREW SPACER SLEEVE	1
7	KBA-000001	CRANK WITH FOLDABLE HANDLE	1
8	KLK-000050	DOWEL PIN 5n6x28	1
9	NKR-000135	BEARING NUT M12x1	2
10	PDK-000026	ROUND WASHER 10.5	1
11	PDK-000052	SPRING WASHER 10.2	1
12	PDK-000179	BEARING TOOTHED WASHER	1
13	LOZ-000091	DOUBLE-ROW ANGULAR BALL BEARING 12x32x15.9	1
14	SRB-000089	HEX SOCKET BOLT M5x30	4
15	SRB-000319	HEX SOCKET BOLT M10x14	1
16	SRB-000114	HEX SOCKET BOLT M6x20	18
17	ZLP-0436-03-12-00-0	CAP	14

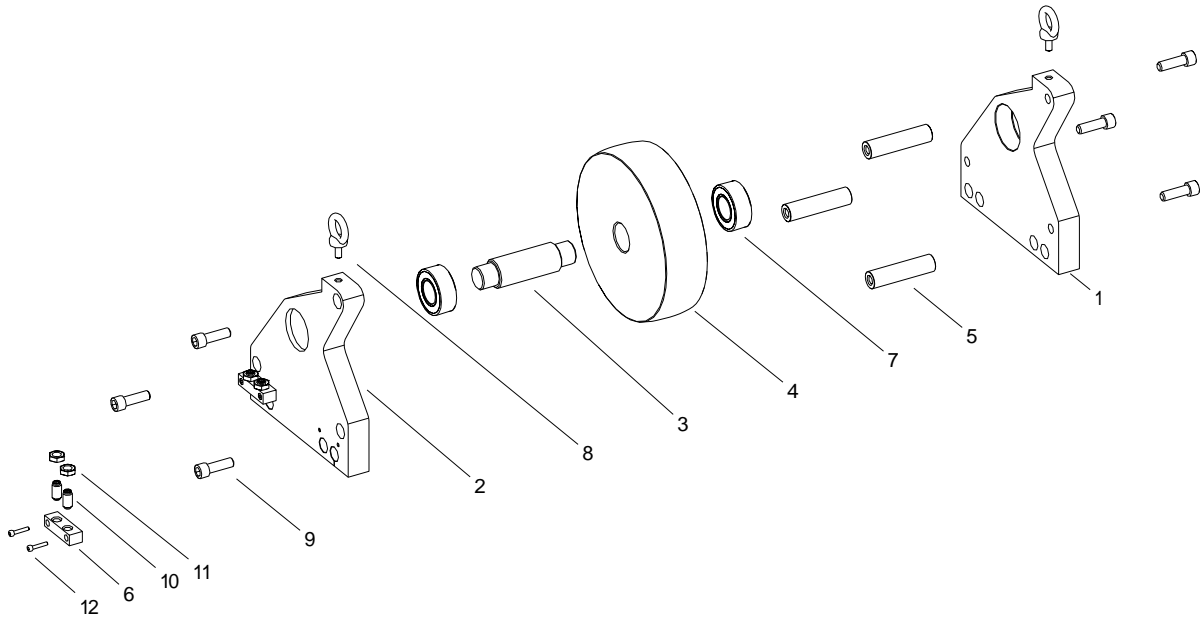


ZSP-0436-06-00-00-1		MILLING UNIT	
ITEM	PART NUMBER	DESCRIPTION	Q-TY
1	BLD-0152-02-02-03-1	MILLING HEAD LOCK	1
2	PLY-0152-02-02-04-1	MILLING HEAD LOCK PLATE	1
3	SPR-0152-02-02-05-0	SPRING 8x14.5x0.8	1
4	PRS-0152-02-02-08-1	MILLING HEAD LOCK RING	1
5	SRB-0152-02-11-00-1	SPECIAL LOW HEAD HEX SOCKET BOLT M10x25	1
6	KRP-0436-06-01-00-0	MILLING UNIT BODY	1
7	NKR-0436-06-02-00-0	NUT	2
8	SLN-0436-06-03-02-0	SPINDLE MOTOR COMPLETE	1
9	GLW-0152-02-12-00-0	MILLING HEAD ASSY WITH INSERTS	1
10	KLK-000097	DOWEL PIN 12n6x50	2
11	PRS-000260	INTERNAL RETAINING RING 14w	1
12	PRS-000250	EXTERNAL PROTECTIVE SPRING RING 6x0.8	1
13	PDK-000118	ROUND WASHER 13	2
14	RKJ-000053	HANDLEVER M12-80	2
15	WKR-000155	CROSS RECESSED COUNTERSUNK HEAD SCREW M5x10	1
16	SRB-000155	HEX SOCKET HEAD CAP SCREW M8x30	4
17	ZBI-0152-02-04-00-1	MILLING HEAD DOG	1
18	ZLC-000069	METAL ROTATIONAL COUPLING M16x1.5	1
19	PLY-000282	CUTTING INSERT 13	7
19*	PLY-000591	CUTTING INSERT 13	7
20	SRB-000311	MOUNTING SCREW T15P	7
21	ZLC-0436-06-03-03-0	REDUCER PG11-M16x1.5	1

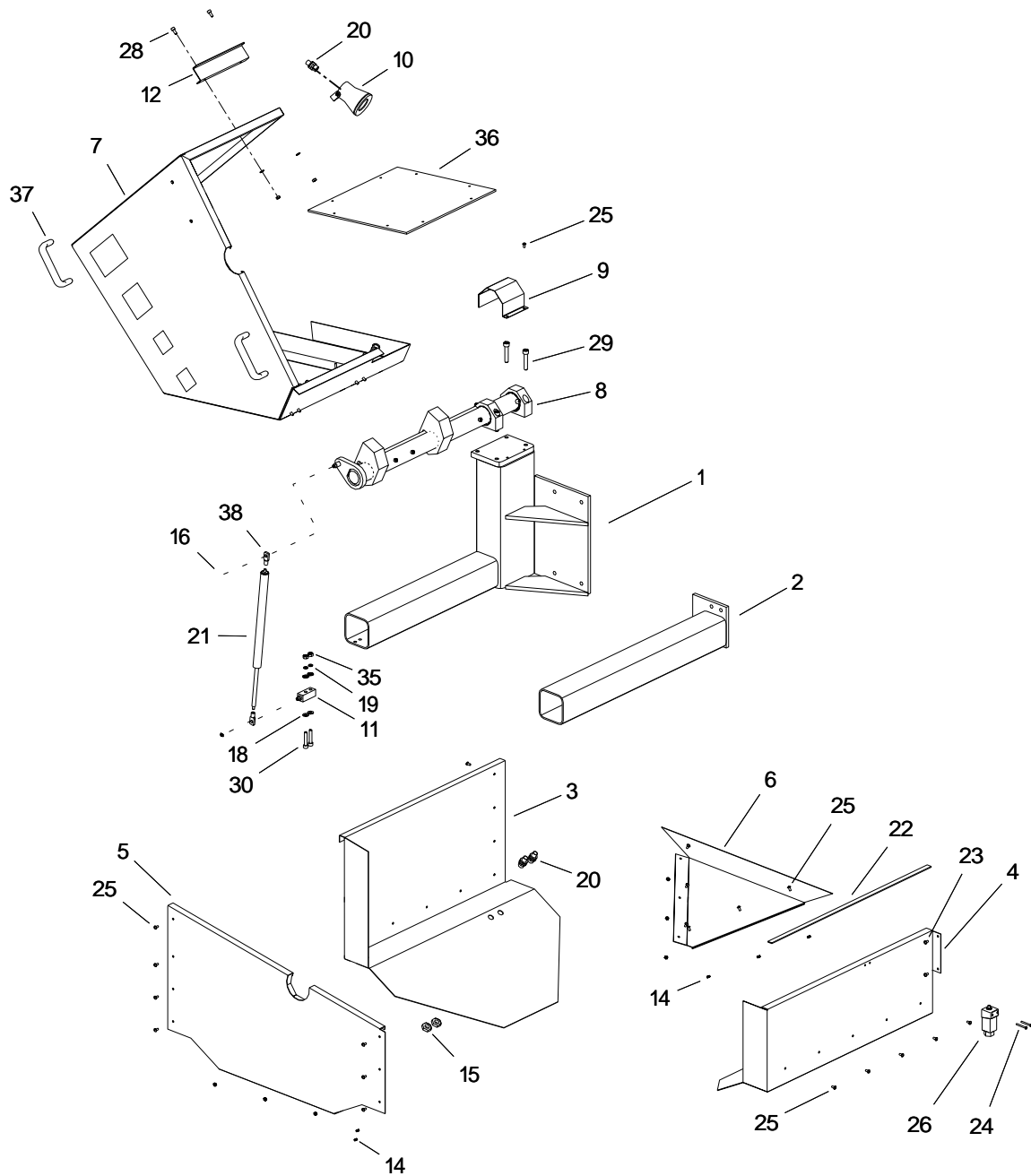
*optional



ZSP-0436-08-00-00-0		PASSIVE SUPPORT	
ITEM	PART NUMBER	DESCRIPTION	Q-TY
1	OPR-0436-01-03-00-0	BEARING MOUNTING II	1
2	PRW-0436-01-05-00-0	GUIDE	2
3	ZDR-0436-01-15-00-0	BUMPER	2
4	LCZ-0436-08-02-00-0	SHORT CONNECTOR	1
5	OPR-0436-08-03-00-0	BEARING MOUNTING	1
6	WLK-0436-08-04-00-0	SHAFT	1
7	KOL-0436-08-06-00-0	PASSIVE SUPPORT WHEEL	1
8	PDK-000180	ROUND WASHER 17	4
9	PDK-000154	SPRING WASHER 16.2	4
10	LOZ-000122	DOUBLE-ROW ANGULAR BALL BEARING 40x80x30	2
11	SRB-000168	EYE BOLT M12	2
12	SRB-000308	HEX SOCKET BOLT M12x35	4
13	SRB-000054	HEX SOCKET BOLT M12x45	12
14	SRB-000316	HEX SOCKET BOLT M16x50	2
15	SRB-000317	HEX SOCKET BOLT M16x70	4
16	KLK-000098	DOWEL PIN 16n6x40	4



ZSP-0436-09-00-00-0		MOVABLE ROLLERS UNIT OF PASSIVE SUPPORT	
ITEM	PART NUMBER	DESCRIPTION	Q-TY
1	OPR-0436-09-01-00-0	BEARING MOUNTING I	1
2	OPR-0436-02-02-00-0	BEARING MOUNTING II	1
3	WLK-0436-08-04-00-0	SHAFT	1
4	KOL-0436-08-06-00-0	PASSIVE SUPPORT WHEEL	1
5	LCZ-0436-08-02-00-0	SHORT CONNECTOR	3
6	OPR-0436-02-07-00-0	CATCH MOUNTING	2
7	LOZ-000122	DOUBLE-ROW ANGULAR BALL BEARING 40x80x30	2
8	SRB-000168	EYE BOLT M12	2
9	SRB-000316	HEX SOCKET BOLT M16x50	6
10	ZTR-0167-18-00-00-0	BALL CATCH COMPLETE	4
11	NKR-000123	LOW NUT M16	4
12	SRB-000118	HEX SOCKET BOLT M6x30	4

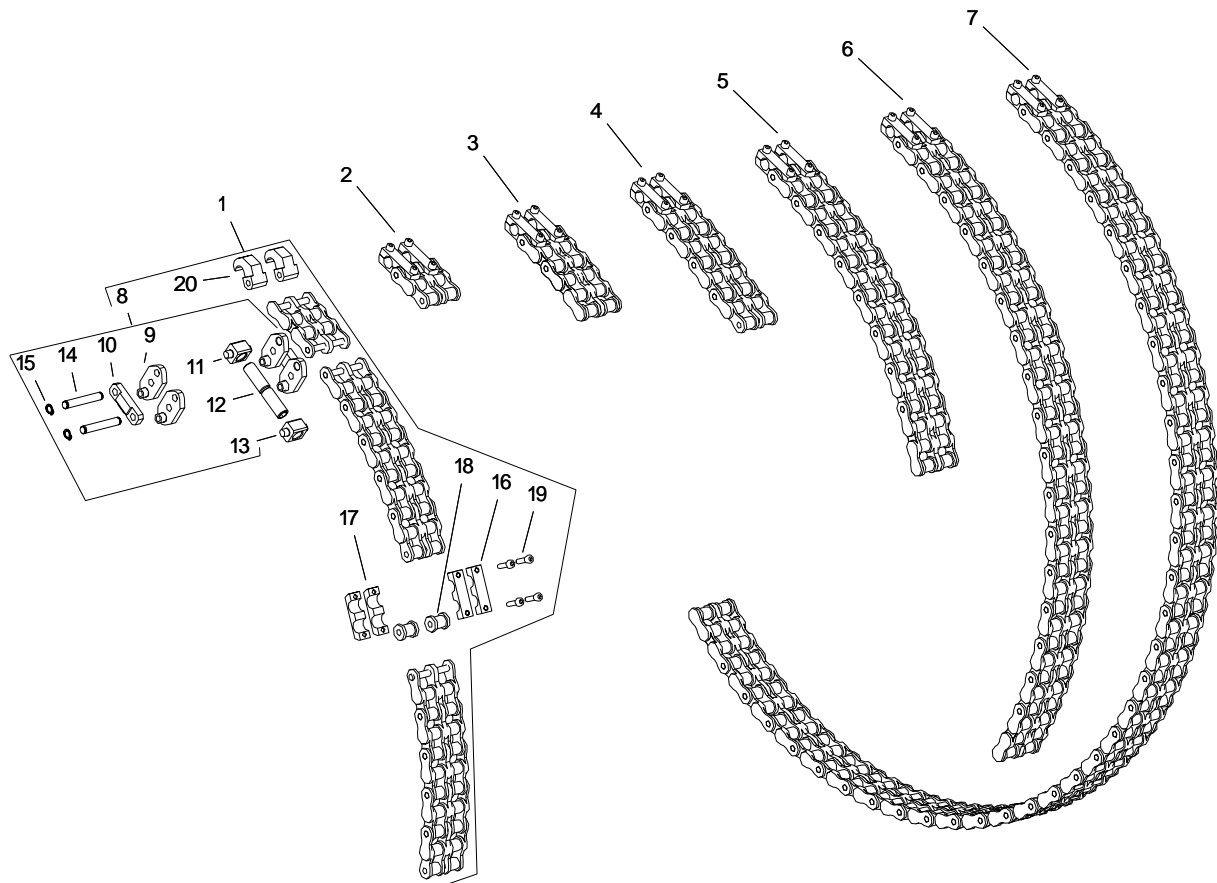


KPL-0436-15-00-00-0		MILLING UNIT COVER FULL SET	
ITEM	PART NUMBER	DESCRIPTION	Q-TY
1	WSP-0436-15-01-00-0	LEFT COVER BRACKET	1
2	WSP-0436-15-02-00-0	RIGHT COVER BRACKET	1
3	OSL-0436-15-03-00-0	LEFT COVER	1
4	OSL-0436-15-04-00-0	RIGHT COVER	1
5	OSL-0436-15-05-00-0	FRONT COVER COMPLETE	1
6	OSL-0436-15-06-00-0	BACK COVER	1
7	OSL-0436-15-07-00-0	TOP COVER ASSY	1
8	ZWS-0436-15-08-00-0	HINGE COMPLETE	1
9	OSL-0436-15-09-00-0	HINGE COVER	1
10	LMP-0436-15-10-00-0	LAMP COMPLETE	1
11	WSP-0436-15-12-00-0	SPRING BRACKET	1
12	ZDR-0436-15-13-00-0	BUMPER	1
13	NKR-000017	HEX NUT M6	3
14	NKR-000016	HEX NUT M5	19

This document is protected by copyrights.

Copying, using, or distributing without permission of ANSA Group Ltd is prohibited.

KPL-0436-15-00-00-0		MILLING UNIT COVER FULL SET	
ITEM	PART NUMBER	DESCRIPTION	Q-TY
15	NKR-000084	LOW HEX. NUT M16x1.5	2
16	PRS-000041	EXTERNAL RETAINING RING 8z	2
17	PDK-000021	ROUND WASHER 6.4	11
18	PDK-000022	ROUND WASHER 8.4	4
19	PDK-000051	SPRING WASHER 8.2	2
20	ZLC-000069	METAL ROTATIONAL COUPLING M16x1,5	3
21	SPR-000024	GAS SPRING	1
22	OSL-0436-15-14-00-0	TARNAMID COVER	1
23	WKR-000096	HEX SOCKET BUTTON HEAD SCREW M5x10	2
24	WKR-000452	CROSS RECESSED PAN HEAD SCREW M4x35	2
25	WKR-000096	HEX SOCKET BUTTON HEAD SCREW M5x10	34
26	LCZ-000024	LIMIT SWITCH	1
27	PDK-000046	SPRING WASHER 6.1	11
28	SRB-000105	HEX SOCKET BOLT M6x14	11
29	SRB-000232	HEX SOCKET BOLT M10x50	4
30	SRB-000157	HEX SOCKET BOLT M8x40	2
35	NKR-000019	HEX NUT M8	2
36	SZY-0436-15-07-03-0	TOP WINDOW	2
37	UCW-000214	HANDLE	2
38	PLW-000001	GAS SPRING BRACKET	2



LNC-0436-17-00-00-0		CHAIN COMPLETE	
ITEM	PART NUMBER	DESCRIPTION	Q-TY
1	SGM-0436-17-01-00-0	BASIC SEGMENT	1
2	SGM-0436-17-04-00-0	3-LINK SEGMENT	1
3	SGM-0436-17-05-00-0	6-LINK SEGMENT	1
4	SGM-0436-17-06-00-0	9-LINK SEGMENT	1
5	SGM-0436-17-07-00-0	18-LINK SEGMENT	1
6	SGM-0436-17-08-00-0	36-LINK SEGMENT	1
7	SGM-0436-17-09-00-0	72-LINK SEGMENT	1
8	NPN-0436-17-03-00-0	CHAIN TIGHTENER	1
9	RAM-0436-17-03-01-0	ARM	4
10	LCZ-0436-17-03-02-0	LINK	2
11	NKR-0436-17-03-03-0	NUT	1
12	SRB-0436-17-03-04-0	TWO-SIDED BOLT	1
13	NKR-0436-17-03-06-0	NUT - LEFT	1
14	SWR-0436-17-03-05-0	PIVOT	2
15	PRS-000002	EXTERNAL RETAINING RING 10z	4
16	LCZ-0436-17-01-01-0	TOP LINK	2
17	LCZ-0436-17-01-02-0	BOTTOM LINK	2
18	TLJ-0436-17-01-05-0	SLEEVE	2
19	SRB-000114	HEX SOCKET BOLT M6x20	4
20	ZCZ-0436-17-02-00-0	CATCH	2