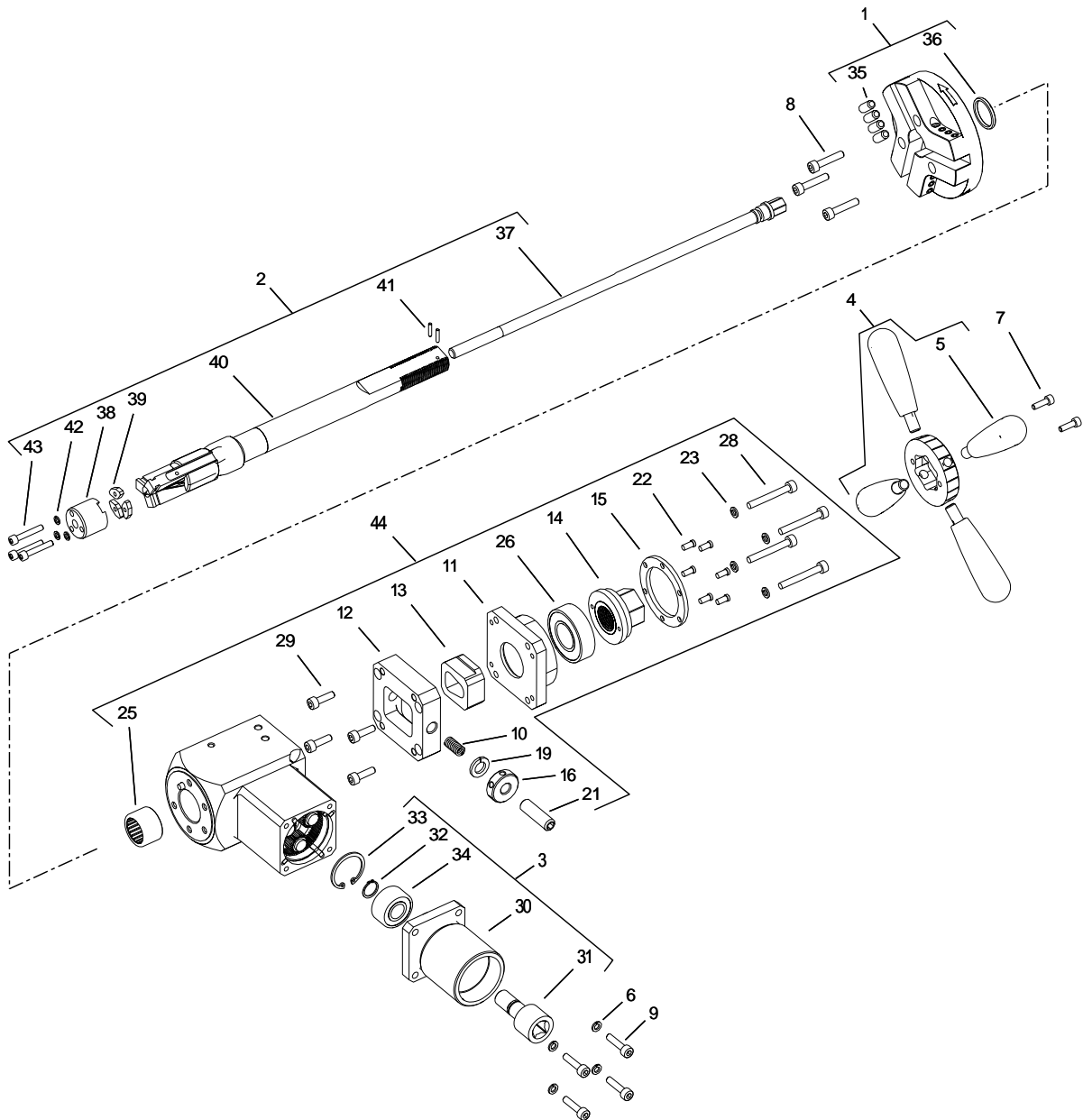


ITEM	PART NUMBER	DESCRIPTION	Q-TY
1	ZST-0472-05-00-00-0	JAW BLOCKS SET	1
2	PJM-000010	TOOL CONTAINER	1
3	SKR-0472-20-00-00-0	METAL BOX	1
4	KLC-000055	3 MM HEX WRENCH WITH BALL END	1
5	KLC-000008	5 MM HEX WRENCH	1
6	KLC-000009	6 MM HEX WRENCH	1
7	KLC-000036	4 MM HEX WRENCH WITH HANDLE	1
8	KLC-000041	13 MM SOCKET WRENCH	1
9	PJM-000003	COOLANT CONTAINER	1
10	KPL-0472-05-01-00-0	BLOCK SET L=7.4	1
11	KPL-0472-05-02-00-0	BLOCK SET L=13	1
12	KPL-0472-05-03-00-0	BLOCK SET L=18.4	1
13	KPL-0472-05-04-00-0	BLOCK SET L=23.5	1
14	KPL-0472-05-05-00-0	BLOCK SET L=28.6	1
15	KPL-0472-05-06-00-0	BLOCK SET L=33.4	1
16	SLN-000238	MOTOR – 230V	1
17	ZST-0472-99-00-00-0	ELECTRIC MOTOR ATTACHMENT SET	1
18	ZBI-0472-11-02-00-1	DRIVER	1
19	OBJ-0472-11-01-00-1	CLAMPING RING	1
20	SRB-000142	HEX SOCKET HEAD CAP SCREW M8x16	2
21	NPD-0472-03-00-00-0	AIR MOTOR ASSY	1
22	SLN-000189	AIR MOTOR	1
23	KRC-000010	MALE PLUG G1/2	1
24	LDW-000008	BATTERY CHARGER – 230V (CEE)	1

ITEM	PART NUMBER	DESCRIPTION	Q-TY
24	LDW-000009	BATTERY CHARGER – 120V (USA)	1
24	LDW-000010	BATTERY CHARGER – 120V (UK)	1
24	LDW-000011	BATTERY CHARGER – 230V (AU)	1
25	WRT-000021	CORDLESS ELECTRIC MOTOR	1
26	AKM-000088	5.2Ah BATTERY	2
27	ZST-0472-22-00-00-0	CORDLESS ELECTRIC MOTOR ATTACHMENT SET	1
28	ZBI-0472-22-01-00-0	DRIVER	1
29	OBJ-0472-11-01-00-1	CLAMPING RING	1
30	SRB-000142	HEX SOCKET HEAD CAP SCREW M8x16	2



ITEM	PART NUMBER	DESCRIPTION	Q-TY
1	TRC-0472-02-00-00-1	SPINDLE DISK ASSY	1
2	TRZ-0472-04-00-00-0	EXPANDING MANDREL ASSY	1

ITEM	PART NUMBER	DESCRIPTION	Q-TY
3	KRP-0472-07-00-00-0	DRIVER BODY ASSY	1
4	TRC-0472-13-00-00-0	NUT DISK ASSY	1
5	DZW-0472-01-03-00-1	LEVER	4
6	PDK-000046	SPRING WASHER 6.1	4
7	SRB-000083	HEX SOCKET HEAD CAP SCREW M5x16	2
8	SRB-000118	HEX SOCKET HEAD CAP SCREW M6x30	3
9	SRB-000115	HEX SOCKET HEAD CAP SCREW M6x25	4
10	SPR-0167-18-02-00-0	SPRING	1
11*	KRP-0472-01-05-00-1	DRIVE HOUSING	1
12*	OBJ-0472-01-06-00-0	LOCKING CLASP	1
13*	OBJ-0472-01-07-00-0	DRIVER CLASP	1
14*	NKR-0472-01-08-00-1	DRAW NUT	1
15*	PRS-0472-01-10-00-0	LOCKING RING	1
16	NKR-0472-01-11-00-0	KNURLED NUT	1
17	NKR-000114	BEARING NUT KM-7 M35x1.5	1
18	PRS-000035	INTERNAL RETAINING RING 62w	1
19	PDK-000053	SPRING WASHER 12.2	1
20	PDK-000184	BEARING TOOTHED WASHER MB-7	1
21	WKR-000460	HEX SOCKET SET SCREW WITH FLAT POINT M12x1.25x40	1
22*	WKR-000455	SLOTTED PAN HEAD SCREW WITH SMALL HEAD M5x10	6
23*	PDK-000046	SPRING WASHER 6.1	4
25	LOZ-000010	NEEDLE BEARING 25x32x20	1
26*	LOZ-000066	BALL BEARING 25x52x15	1
27	LOZ-000143	ANGULAR BALL BEARING 35x62x14	1
28*	SRB-000126	HEX SOCKET HEAD CAP SCREW M6x45	4
29*	SRB-000114	HEX SOCKET HEAD CAP SCREW M6x20	4
30	KRP-0472-07-01-00-0	DRIVE HOUSING	1
31	WLK-0472-07-04-00-0	DRIVER SHAFT	1
32	PRS-000005	EXTERNAL RETAINING RING 15z	1
33	PRS-000150	INTERNAL RETAINING RING 35w	1
34	LOZ-000092	DOUBLE-ROW ANGULAR BALL BEARING 15x35x15.9	1
35	WKR-000030	HEX SOCKET SET SCREW WITH FLAT POINT M8x20	12
36	PRS-000105	SEAL O-RING 25.2x3	1
37	SRB-0472-04-03-00-0	MANDREL SCREW	1
38	NKR-0472-04-04-00-0	NUT	1
39	PLY-0472-04-05-00-0	MANDREL PLATE	3
40	TRZ-0472-04-10-00-0	MANDREL WITH JAWS ASSY	1
41	KLK-000103	DOWEL PIN 3n6x14	2
42	PDK-000045	SPRING WASHER 5.1	3
43	SRB-000089	HEX SOCKET HEAD CAP SCREW M5x30	3
44	KRP-0472-01-00-00-1	BODY ASSY	1

*- install only when the expanding mandrel (item 2) is already installed