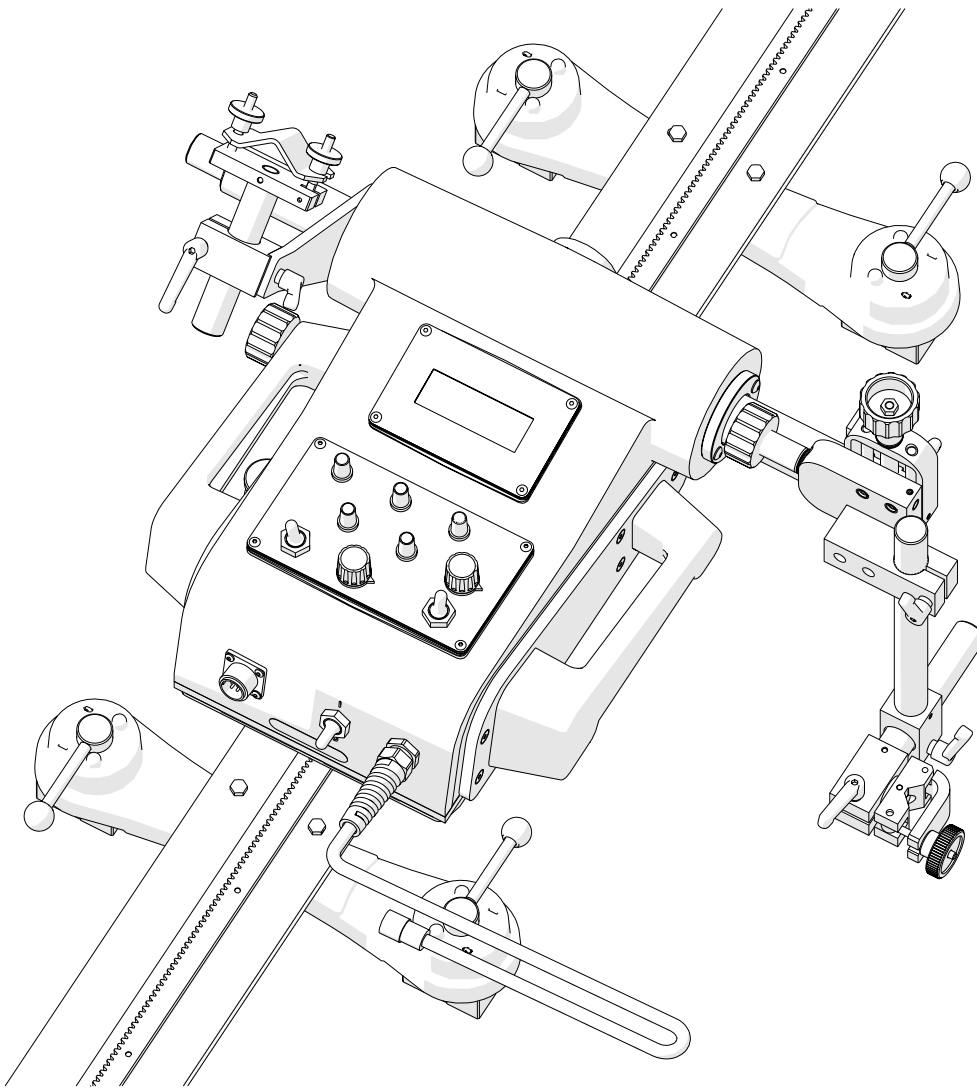
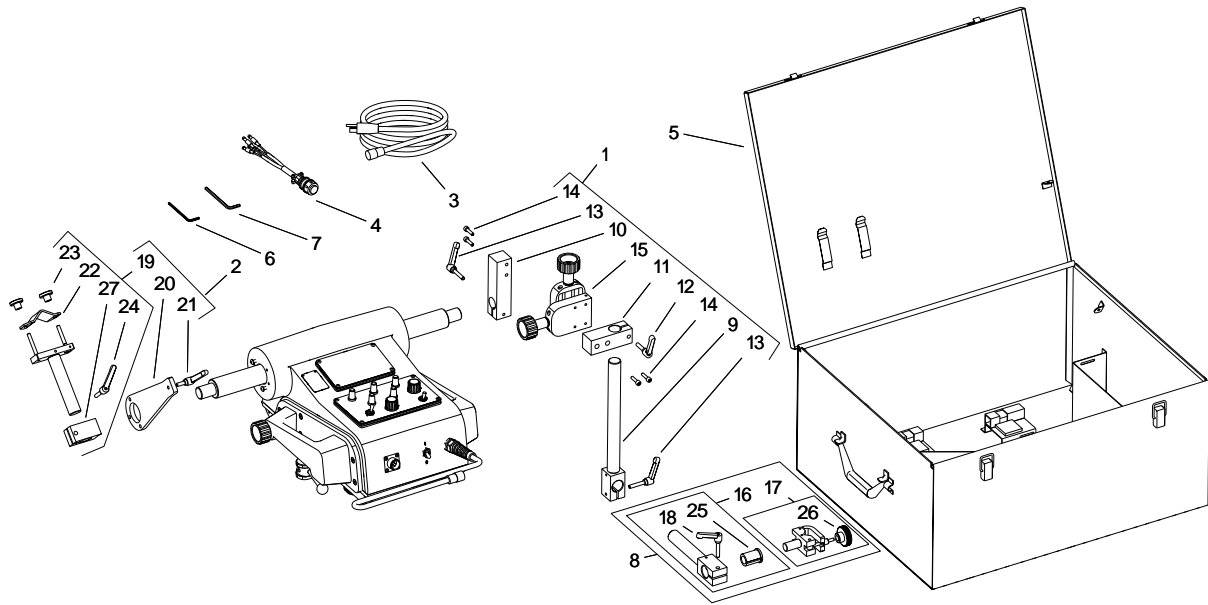


PARTS LIST

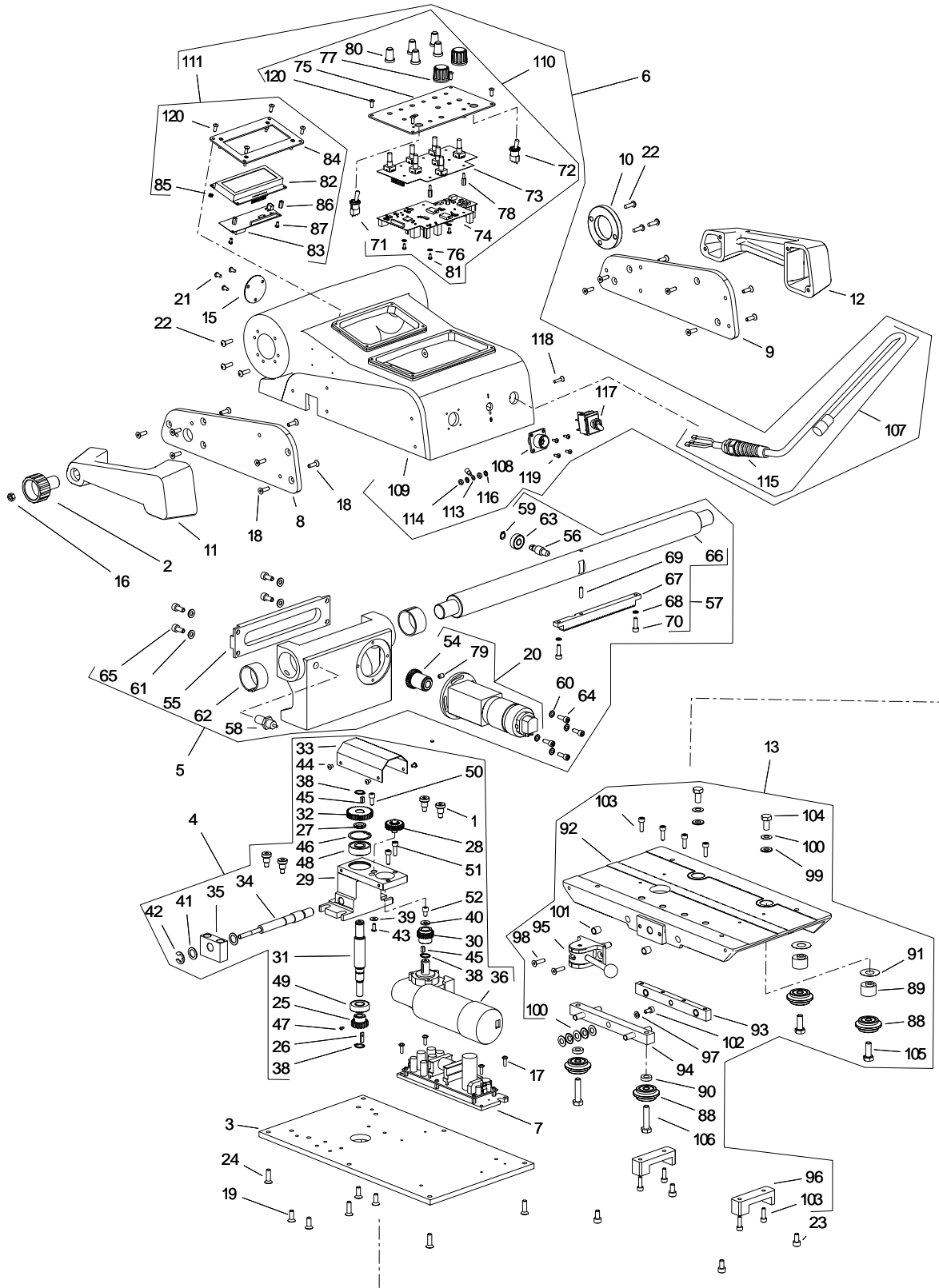
Rail Bull

WELDING CARRIAGE





ITEM	PART NUMBER	DESCRIPTION	Q-TY
1	PRW-0482-11-00-00-0	TORCH GUIDE ASSY	1
2	UCW-0482-17-00-00-0	CABLE ANCHOR ASSY WITH ARM	1
3	PWD-0466-18-00-00-0	POWER CORD 230V (CEE)	1
3	PWD-0466-21-00-00-0	POWER CORD 230V (AU)	1
3	PWD-0466-16-00-00-0	POWER CORD 120V (USA)	1
3	PWD-0466-23-00-00-0	POWER CORD 120V (UK type G)	1
3	PWD-0466-24-00-00-0	POWER CORD 3x1.5 – WITHOUT PLUG	1
4	KBL-0466-17-00-00-0	START-STOP ARC IGNITION CABLE 6.5 M (20 FT)	1
5	SKR-0482-20-00-00-0	METAL BOX	1
6	KLC-000006	3 MM HEX WRENCH	1
7	KLC-000007	4 MM HEX WRENCH	1
8	UCW-0476-20-00-00-0	SHORT ROD TORCH HOLDER ASSY	1
9	WLK-0482-04-10-00-0	LONG ROD WITHOUT SLEEVE ASSY	1
10	KST-0482-11-01-00-0	CLAMPING BLOCK I	1
11	KST-0482-11-02-00-0	CLAMPING BLOCK II	1
12	RKJ-000043	HANDLEVER M6-25	1
13	RKJ-000036	HANDLEVER M6-32	2
14	SRB-000086	HEX SOCKET HEAD CAP SCREW M5x20	4
15	ZSP-0466-03-00-00-1	CROSS SLIDE ASSY	1
16	WLK-0476-20-01-00-0	SHORT ROD ASSY	1
17	ZRZ-0466-04-01-00-0	TORCH CLAMP ASSY	1
18	RKJ-000036	HANDLEVER M6-32	1
19	UCW-0476-07-00-00-0	CABLE ANCHOR ASSY	1
20	RAM-0482-17-01-00-0	CABLE ANCHOR ARM	1
21	RKJ-000006	HANDLEVER M6-16	1
22	TRM-0219-06-16-00-0	CLAMP PLATE I	1
23	NKR-000121	KNURLED NUT M6	2
24	RKJ-000036	HANDLEVER M6-32	1
25	TLJ-0419-04-02-03-0	INSULATION SLEEVE	1
26	PKT-0466-04-01-11-0	TORCH CLAMP KNOB	1
27	KST-0476-07-01-00-0	ANCHOR CLAMPING BLOCK	1



ITEM	PART NUMBER	DESCRIPTION	Q-TY
1	SRB-0341-02-10-00-0	MOUNTING SCREW	4
2	PKT-0466-03-01-03-0	KNOB	1
3	PLY-0482-01-00-00-0	CARRIAGE PLATE	1
4	ZSP-0482-02-00-00-0	MOTOR ASSY	1
5	ZSP-0482-03-00-00-0	OSCILLATOR	1
6	KRP-0482-04-00-00-2	BODY ASSY	1
7	ZSP-0482-05-00-00-0	DRIVE POWER SUPPLY 120-230V	1
8	PLY-0482-06-00-00-0	LEFT SIDE PLATE	1
9	PLY-0482-07-00-00-0	RIGHT SIDE PLATE	1
10	PRS-0482-08-00-00-0	MASKING RING	1
11	RKJ-0482-09-00-00-1	LEFT HANDLE	1
12	RKJ-0482-10-00-00-1	RIGHT HANDLE	1
13	PRW-0482-12-00-00-0	CHASSIS ASSY	1
14*	WZK-0482-13-00-00-0	POWER SUPPLY-CONTROL PANEL WIRE SET	1
15	ZLP-0482-16-00-00-0	PLUG	1
16	NKR-000017	HEX NUT M6	1
17	WKR-000185	CROSS RECESSED PAN HEAD SCREW M4x12	4
18	WKR-000136	HEX SOCKET COUNTERSUNK HEAD SCREW M5x16	18
19	WKR-000142	HEX SOCKET COUNTERSUNK HEAD SCREW M6x16	4
20	MTR-0482-03-02-00-0	GEAR MOTOR ASSY	1
21	WKR-000091	HEX SOCKET BUTTON HEAD SCREW M4x8	3
22	WKR-000098	HEX SOCKET BUTTON HEAD SCREW M5x16	7
23	SRB-000103	HEX SOCKET HEAD CAP SCREW M6x12	4
24	WKR-000143	HEX SOCKET COUNTERSUNK HEAD SCREW M6x20	6
25	KOL-0341-02-01-09-0	DRIVE GEAR z14	1
26	WPS-0341-02-01-10-0	KEY	1
27	PDK-0233-01-21-00-0	DISTANCE WASHER 12.1x19x3	1
28	KOL-0456-01-05-00-1	IDLE GEAR WHEEL ASSY z25	1
29	KRP-0482-02-01-00-1	MOTOR BODY	1
30	KOL-0482-02-02-00-0	GEAR z22	1
31	WLK-0482-02-03-00-0	DRIVE GEAR SHAFT	1
32	KOL-0482-02-04-00-0	GEAR z36	1
33	OSL-0482-02-05-00-0	GEAR COVER	1
34	SRB-0482-02-07-00-0	FEED SCREW	1
35	WSP-0482-02-08-00-0	SCREW BRACKET	1
36	MTR-0482-02-09-00-0	DRIVE GEAR MOTOR WITH WIRE SET	1
37*	WZK-0482-02-10-00-0	DRIVE MOTOR ENCODER WIRE SET	1
38	PRS-000003	EXTERNAL RETAINING RING 12z	3
39	PDK-000108	ROUND WASHER 4.3	1
40	PDK-000036	ROUND WASHER 5.5	1
41	PDK-000164	SPACER WASHER 12x18x1	2
42	PLY-000060	STOPPER PLATE 9	1
43	WKR-000092	HEX SOCKET BUTTON HEAD SCREW M4x10	1
44	WKR-000292	HEX SOCKET BUTTON HEAD SCREW M4x6	4
45	WPS-000082	KEY 4x4x8	2
46	PRS-000022	INTERNAL RETAINING RING 32w	1
47	WKR-000012	HEX SOCKET SET SCREW WITH DOG POINT M4x6	1
48	LOZ-000062	BALL BEARING 12x32x10	1
49	LOZ-000038	BALL BEARING 12x28x8	1
50	SRB-000078	HEX SOCKET HEAD CAP SCREW M5x12	1
51	SRB-000083	HEX SOCKET HEAD CAP SCREW M5x16	2
52	SRB-000098	HEX SOCKET HEAD CAP SCREW M5x8	1

This document is protected by copyrights.

Copying, using, or distributing without permission of JEI Group Ltd is prohibited.

ITEM	PART NUMBER	DESCRIPTION	Q-TY
53	KRP-0482-03-01-00-1	OSCILLATOR BODY	1
54	KOL-0482-03-02-02-0	GEAR z26	1
55	LST-0482-03-03-00-0	GUIDING BAR	1
56	WLK-0482-03-04-00-0	BEARING SHAFT	1
57	WLK-0482-03-05-00-0	OSCILLATOR SHAFT ASSY	1
58	WZK-0482-03-06-00-0	INDUCTION SENSOR WIRE SET	1
59	PRS-000041	EXTERNAL RETAINING RING 8z	1
60	PDK-000017	ROUND WASHER 5.3	4
61	PDK-000021	ROUND WASHER 6.4	4
62	TLJ-000109	SLEEVE	2
63	LOZ-000053	BALL BEARING 8x22x7	1
64	SRB-000082	HEX SOCKET HEAD CAP SCREW M5x14	4
65	SRB-000105	HEX SOCKET HEAD CAP SCREW M6x14	4
66	WLK-0482-03-05-01-0	OSCILLATOR SHAFT	1
67	LST-0482-03-05-02-0	GEAR RACK	1
68	PDK-000045	SPRING WASHER 5.1	2
69	KLK-000047	DOWEL PIN 5n6x16	1
70	SRB-000083	HEX SOCKET HEAD CAP SCREW M5x16	2
71	WZK-0482-04-02-01-0	ARC IGNITION SWITCH WIRE SET	1
72	WZK-0482-04-02-02-0	TRAVEL DIRECTION SWITCH WIRE SET	1
73	MDL-0482-04-02-03-0	ENCODER MODULE	1
74	MDL-0482-04-02-04-0	MAIN MODULE	1
75	MSK-0482-04-02-10-1	PANEL MASKING COVER WITH OSCILLATION ASSY	1
76	PDK-000058	EXTERNAL TOOTH LOCK WASHER 3	4
77	PKT-000028	POTENTIOMETER KNOB 23	2
78	TLJ-000051	HEX SLEEVE	4
79	WKR-000058	HEX SOCKET SET SCREW WITH FLAT POINT M6x8	1
80	PKT-000015	POTENTIOMETER KNOB K85/6D	5
81	WKR-000181	CROSS RECESSED PAN HEAD SCREW M3x6	4
82	MDL-0476-02-02-22-2	DISPLAY	1
83	MDL-0482-04-03-02-1	DISPLAY MODULE	1
84	MSK-0482-04-03-10-1	DISPLAY MASKING COVER ASSY	1
85	NKR-000146	HEX NUT M3	2
86	TLJ-000111	DISTANCE SLEEVE M3x10	2
87	WKR-000339	SELF-TAPPING SCREW M3x6	2
88	RLK-0341-01-02-00-0	PRESSURE ROLLER ASSY	4
89	WLK-0341-01-04-00-0	ECCENTRIC SHAFT	2
90	TLJ-0341-01-05-00-0	DISTANCE SLEEVE I	2
91	PDK-0341-01-07-00-0	SLIDE WASHER	2
92	PLY-0482-12-01-00-1	CHASSIS PLATE	1
93	LST-0482-12-02-00-0	RESISTIVE BAR ASSY	1
94	LST-0482-12-03-00-0	PRESSURE BAR ASSY	1
95	ZCS-0482-12-04-00-0	CAM CLAMP ASSY	1
96	ZDR-0482-12-05-00-0	BUMPER	2
97	PDK-000017	ROUND WASHER 5.3	1
98	WKR-000137	HEX SOCKET COUNTERSUNK HEAD SCREW M5x20	2
99	PDK-000022	ROUND WASHER 8.4	2
100	SPR-000012	DISC SPRING 8.2x16x0.6	7
101	TLJ-000048	SLIDE SLEEVE 8x10x12	2
102	SRB-000075	HEX SOCKET HEAD CAP SCREW M5x10	1
103	SRB-000083	HEX SOCKET HEAD CAP SCREW M5x16	8
104	SRB-000361	FULL THREAD HEX HEAD SCREW M8x16	2

This document is protected by copyrights.

Copying, using, or distributing without permission of JEI Group Ltd is prohibited.

ITEM	PART NUMBER	DESCRIPTION	Q-TY
105	SRB-000202	FULL THREAD HEX HEAD SCREW M8x22	2
106	SRB-000351	FULL THREAD HEX HEAD SCREW M8x35	2
107	WZK-0466-02-09-00-0	POWER WIRE SET ASSY	1
108	WZK-0476-02-04-00-0	ARC IGNITION SOCKET WIRE SET	1
109	KRP-0482-04-01-00-1	BODY	1
110	PNL-0482-04-02-00-1	CONTROL PANEL WITH OSCILLATION ASSY	1
111	WYS-0482-04-03-00-1	DISPLAY ASSY	1
112*	WZK-0482-04-04-00-0	POWER SWITCH WIRE SET	1
113	PWD-0482-04-05-00-0	CONTROL PANEL GROUNDING WIRE ASSY	1
114	NKR-000013	HEX NUT M4	2
115	DLW-000007	CABLE GLAND WITH STRAIN RELIEF PG11	1
116	PDK-000060	EXTERNAL TOOTH LOCK WASHER 4.3	2
117	PNK-000026	LEVER SWITCH 641 H/3	1
118	WKR-000152	CROSS RECESSED COUNTERSUNK HEAD SCREW M4x16	1
119	WKR-000385	HEX SOCKET BUTTON HEAD SCREW M3x8	4
120	WKR-000092	HEX SOCKET BUTTON HEAD SCREW M4x10	8

*- not shown in the drawing