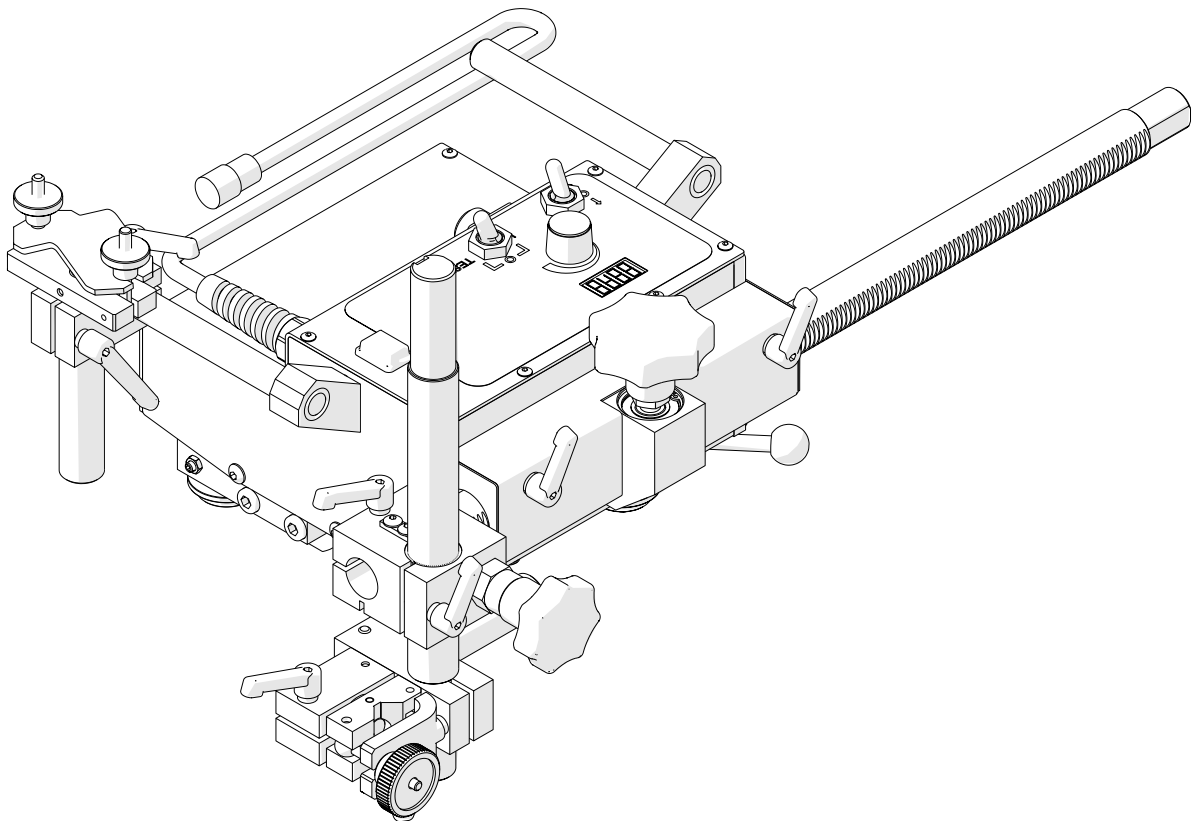




## Parts list

# Rail Tug

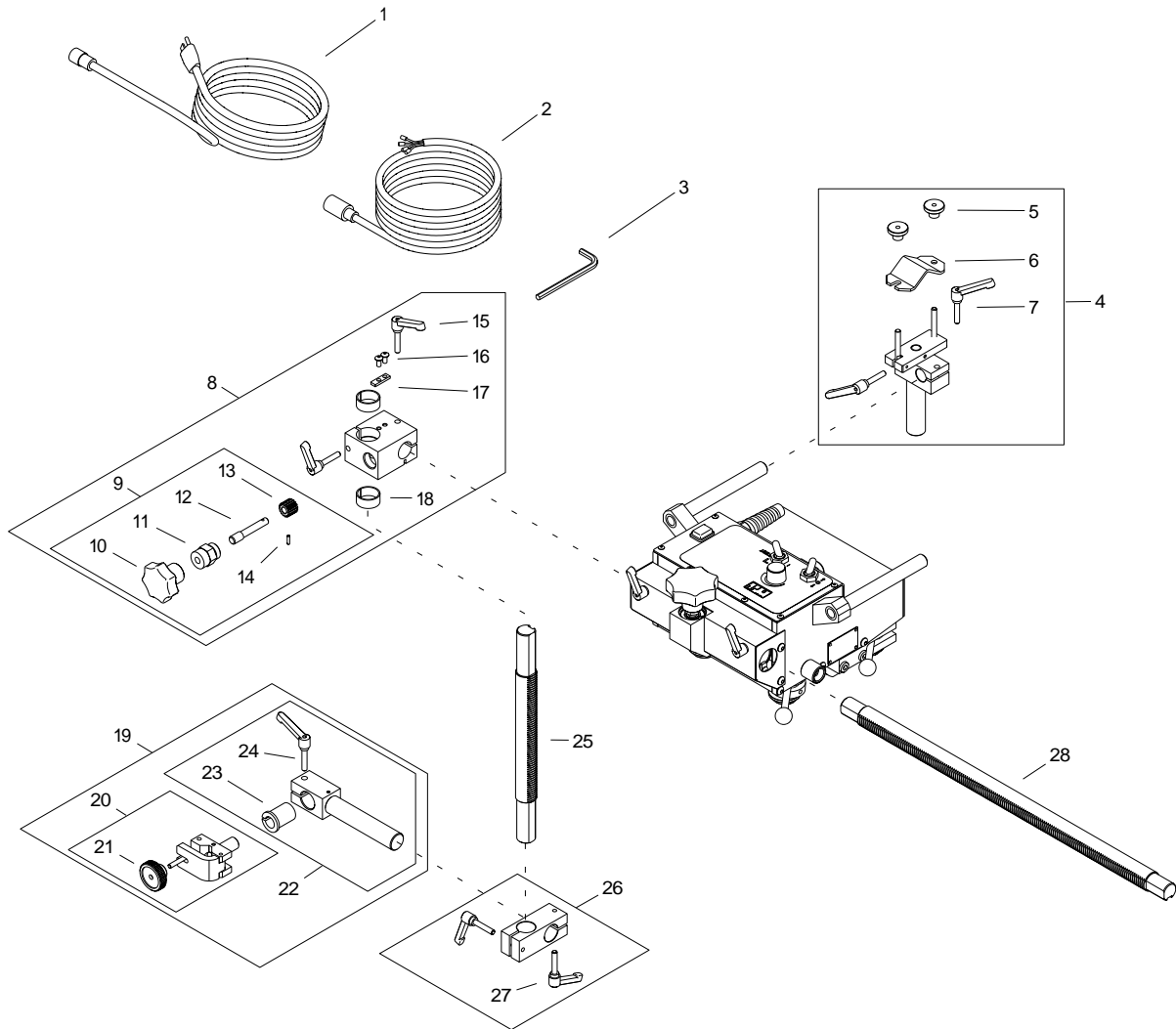
## WELDING CARRIAGE



Unit 21 Empire Business Park, Enterprise Way, Burnley, Lancashire,  
BB12 6LT

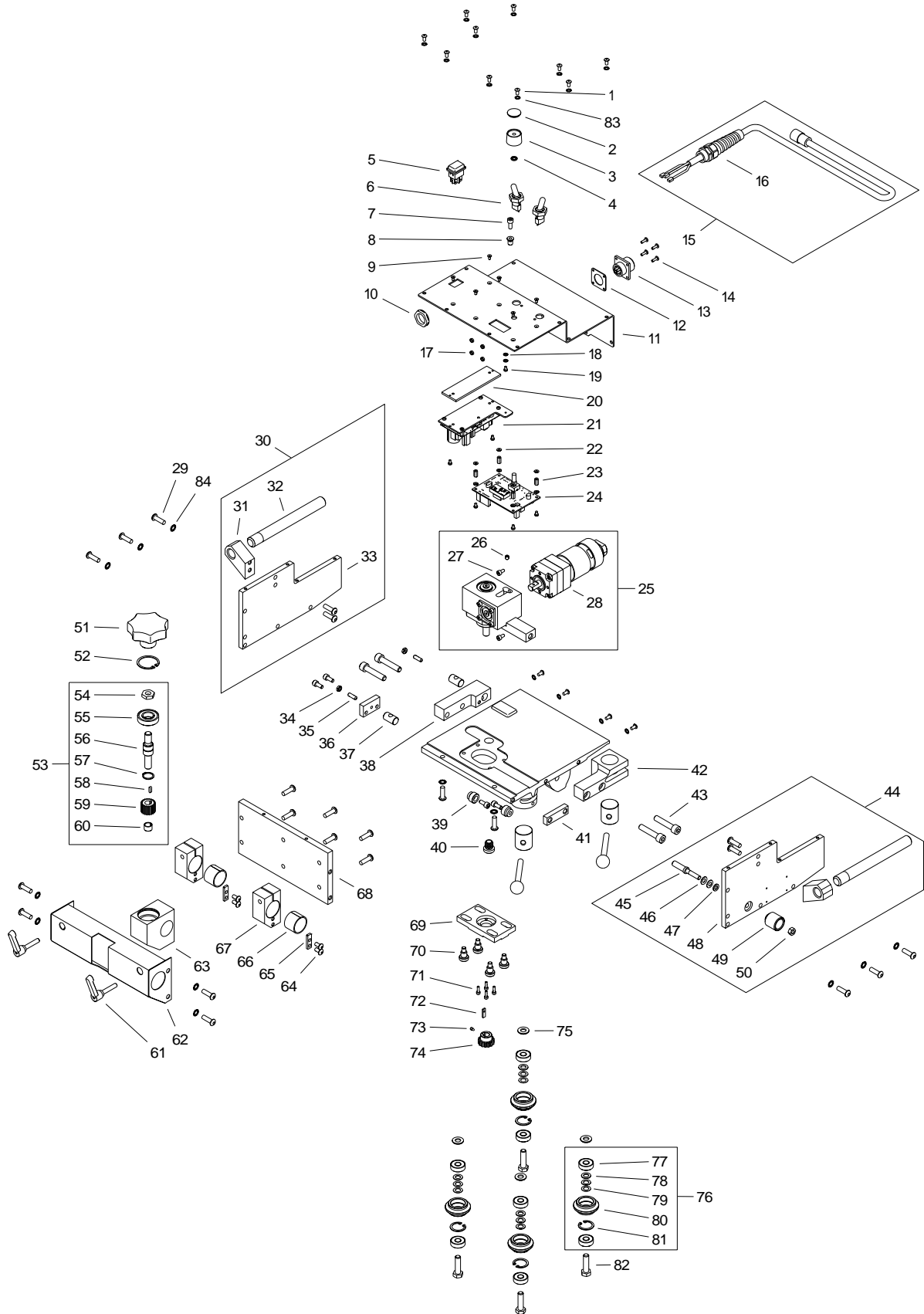
Phone: +44 01706 229490, Fax: +44 01706 507347

[www.steelbeast.co.uk](http://www.steelbeast.co.uk) e-mail: [sales@jeisolutions.co.uk](mailto:sales@jeisolutions.co.uk)



ITEM	PART NUMBER	DESCRIPTION	Q-TY
1	PWD-0466-16-00-00-0	POWER CORD 115 V (US)	1
1	PWD-0466-18-00-00-0	POWER CORD 230V (CEE)	1
1	PWD-0466-21-00-00-0	POWER CORD 230V (AU)	1
1	PWD-0466-28-00-00-0	POWER CORD 230V (UK)	1
1	PWD-0466-31-00-00-0	POWER CORD 230V (INDIA)	1
2	KBL-0466-17-00-00-0	START-STOP ARC IGNITION CABLE 6.5 M (20 FT)	1
3	KLC-000009	6 MM HEX WRENCH	1
4	UCW-0523-05-01-00-0	CABLE HOLDER	1
5	NKR-000121	KNURLED NUT M6	2
6	TRM-0219-06-16-00-0	CLAMP PLATE	1
7	RKJ-000036	HANDLEVER M6-32	2
8	ZSP-0475-62-00-00-0	SLIDE	1
9	PKT-0475-62-02-00-0	KNOB ASSY	1
10	PKT-000039	KNOB D50xM10	1
11	ZLC-0475-62-02-01-0	THREAD JOINT	1
12	OSK-0475-62-02-02-0	PIVOT PIN	1
13	KOL-0475-62-02-03-0	GEAR z16	1
14	KLK-000004	SPRING PIN 3x12	1
15	RKJ-000036	HANDLEVER M6-32	2
16	WKR-000096	HEX SOCKET BUTTON HEAD SCREW M5x10	2

ITEM	PART NUMBER	DESCRIPTION	Q-TY
17	WPS-0475-62-03-00-0	KEY	1
18	TLJ-0475-62-04-00-0	SELF-LUBRICATING SLEEVE 25x28x12	2
19	UCW-0476-20-00-00-0	SHORT ROD TORCH HOLDER ASSY	1
20	ZRZ-0466-04-01-00-0	TORCH CLAMP ASSY	1
21	PKT-0466-04-01-10-0	KNOB	1
22	WLK-0476-20-01-00-0	SHORT ROD ASSY	1
23	TLJ-0419-04-02-03-0	INSULATION TUBE	1
24	RKJ-000036	HANDLEVER M6-32	1
25	RAM-0523-17-00-00-0	GUIDE ARM	1
26	KST-0525-11-00-00-0	CLAMPING BLOCK	1
27	RKJ-000036	HANDLEVER M6-32	2
28	RAM-0525-07-00-00-0	GEARED RACK 540 MM (21")	1



ITEM	PART NUMBER	DESCRIPTION	Q-TY
1	WKR-000091	HEX SOCKET BUTTON HEAD SCREW M4x8	14
2	PKR-000055	CAP	1
3	PKT-000041	KNOB fi23	1
4	PRS-000114	SEAL O-RING 6.3x1.8	1

This document is protected by copyrights.

Copying, using, or distributing without permission of ANSA Group Ltd is prohibited.

ITEM	PART NUMBER	DESCRIPTION	Q-TY
5	WZK-0570-01-04-08-0	POWER SUPPLY WIRE SET	1
6	WZK-0570-01-04-06-0	SWITCH WIRE SET	1
7	SRB-000078	HEX SOCKET HEAD CAP SCREW M5x12	7
8	NTN-000004	BLIND RIVET NUT M5	1
9	WKR-000349	HEX SOCKET COUNTERSUNK HEAD SCREW M3x6	6
10	NKR-000040	STRAIN RELIEF NUT	1
11	OSL-0570-01-04-01-0	TOP COVER	1
12	KLR-000005	SEAL FLANGE 14	1
13	WZK-0523-09-07-00-1	ARC IGNITION WIRE SET	1
14	WKR-000287	HEX SOCKET BUTTON HEAD SCREW M3x10	4
15	WZK-0570-01-04-09-0	POWER WIRE SET	1
16	DLW-000007	CABLE GLAND WITH STRAIN RELIEF PG11	1
17	NKR-000010	HEX NUT M3	4
18	PDK-000058	EXTERNAL TOOTH LOCK WASHER 3.2	2
19	WKR-000180	CROSS RECESSED PAN HEAD SCREW M3x5	7
20	DYS-0570-01-04-05-0	POWER SUPPLY SPACER	1
21	MDL-0570-01-04-03-0	POWER SUPPLY MODULE ASSY	1
22	PDK-000014	ROUND WASHER 3.2	8
23	TLJ-000023	SLEEVE M3x10	4
24	MDL-0570-80-01-00-0	ELECTRONIC MODULE	1
25	MTR-0570-01-02-00-0	MOTOR SET ASSY	1
26	WKR-000048	HEX SOCKET SET SCREW WITH FLAT POINT M5x6	1
27	SRB-000074	HEX SOCKET HEAD CAP SCREW M4x8	2
28	MTR-0570-01-02-08-0	MOTOR	1
29	WKR-000499	HEX SOCKET BUTTON HEAD SCREW M6x20	22
30	BOK-0570-01-07-00-0	RIGHT COVER ASSY	1
31	WSP-0570-01-06-02-0	HANDLE SUPPORT	2
32	RKJ-0570-01-06-03-0	HANDLE	2
33	PLY-0570-01-07-01-0	RIGHT COVER PLATE	1
34	NKR-000034	LOW HEX NUT M5	2
35	WKR-000077	HEX SOCKET SET SCREW WITH FLAT POINT M5x16	2
36	PLY-0523-01-01-02-0	RESISTING PLATE	1
37	NKR-0523-01-01-09-0	NUT	2
38	WSP-0523-01-01-05-0	LEFT BRACKET	1
39	ZDR-0523-01-01-08-0	BUMPER	3
40	WKL-000013	INSERT FOR TUBES fi 16	1
41	NKR-0523-01-01-06-0	SPECIAL NUT	2
42	WSP-0523-01-01-04-0	RIGHT BRACKET	1
43	SRB-000158	HEX SOCKET HEAD CAP SCREW M8x40	4
44	BOK-0570-01-06-00-0	LEFT COVER ASSY	1
45	SRB-0523-01-03-03-0	FEED SCREW	1
46	SPR-000010	DISC SPRING 6.2x12.5x0.6	2
47	PDK-000136	SMALL ROUND WASHER 6.4	1
48	PLY-0570-01-06-01-0	LEFT COVER PLATE	1
49	PKT-0341-02-08-00-0	KNOB	1
50	NKR-000017	HEX NUT M6	1
51	PKT-000038	STAR KNOB D63	1
52	PRS-000022	INTERNAL RETAINING RING 32w	1
53	ZSP-0475-06-00-00-1	FEED ASSY	1
54	NKR-000087	LOW HEX NUT M10	1
55	LOZ-000101	BALL BEARING 15x32x8	1
56	WLK-0475-06-02-00-1	GEAR SHAFT	1

*This document is protected by copyrights.*

*Copying, using, or distributing without permission of ANSA Group Ltd is prohibited.*

ITEM	PART NUMBER	DESCRIPTION	Q-TY
57	PRS-000005	EXTERNAL RETAINING RING 15z	1
58	WPS-000005	PARALLEL KEY 3x3x10	1
59	KOL-0475-06-03-00-0	GEAR z20	1
60	TLJ-000095	SELF LUBRICATING SLEEVE 10x12x08	1
61	RKJ-000036	HANDLEVER M6-32	2
62	OSL-0570-01-05-00-0	FRONT COVER	1
63	OPR-0570-01-03-03-0	HOUSING	1
64	WKR-000096	HEX SOCKET BUTTON HEAD SCREW M5x10	4
65	WPS-0475-62-03-00-0	KEY	2
66	TLJ-000069	SELF LUBRICATING SLEEVE 25x28x20	2
67	WSP-0570-01-03-02-0	ARM SUPPORT	2
68	PLY-0570-01-03-01-0	FRONT PLATE	1
69	PLY-0523-01-01-07-0	BOTTOM PLATE	1
70	SRB-0341-02-10-00-0	MOUNTING SCREW	4
71	SRB-000310	HEX SOCKET HEAD CAP SCREW M3x10	4
72	WPS-0341-02-01-10-0	KEY	1
73	WKR-000012	HEX SOCKET SET SCREW WITH DOG POINT M4x6	1
74	KOL-0341-02-01-09-0	GEAR z14	1
75	PDK-000022	ROUND WASHER 8.4	4
76	RLK-0341-01-02-00-0	PRESSURE ROLLER ASSY	4
77	LOZ-000053	BALL BEARING 8x22x7	8
78	PDK-000173	WASHER 8x14x1	4
79	PDK-000174	WASHER 8x14x0.1	8
80	RLK-0341-01-02-01-0	PRESSURE ROLLER	4
81	PRS-000014	INTERNAL RETAINING RING 22w	4
82	SRB-000030	FULL THREAD HEX HEAD SCREW M8x30	4
83	PDK-000166	EXTERNAL TOOTH LOCK WASHER 4.3	14
84	PDK-000266	EXTERNAL TOOTH LOCK WASHER 6.4	12